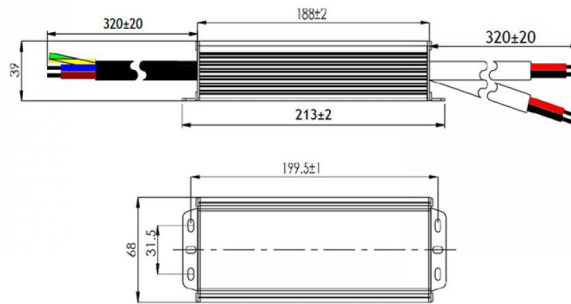




Power Supply | 24V | 100W | IP67 | DC Plug



Article number:	215-302
CHANGED_LAST:	21-06-2022
Brand:	Tronix Lighting
Type:	Covers
ETIM Group:	EG000029 - Light control
ETIM Classes:	EC002710 - LED driver
SYNONYM:	LED controlling, LED driver





Feature

Model:	Static	Constant light output (CLO):	No
Suitable for outdoor use:	Yes	No dim function:	Yes
Dimming 0-10 V:	No	Housing:	Encapsulated
Dimming 1-10 V:	No	Suitable for constant current:	No
Dimming DALI:	No	Suitable for constant voltage:	Yes
Dimming DSI:	No	Output voltage:	24 ~ 24 V
Dimming DMX:	No	Output current:	4166 ~ 4166 mA
Dimming potentiometer (integrated):	No	Suitable for DC-voltage (primary side):	No
Dimming GPRS:	No	Output power:	100 ~ 100 W
Dimming LineSwitch:	No	Degree of protection (IP):	IP67
Dimming manufacturer's proprietary system:	No	Protection class:	I
Dimming mains voltage modulation:	No	Length:	188 mm
Dimming phase cut-off:	No	Width:	68 mm
Dimming phase cut-on:	No	Height:	39 mm
Dimming programmable:	No	Diameter:	0 mm
Dimming RF:	No	Compatible with Apple HomeKit:	No
Dimming Sine Wave Reduction:	No	Compatible with Google Assistant:	No
Dimming Touch and Dim:	No	Compatible with Amazon Alexa:	No
Dimming Zigbee:	No	IFTTT support available:	No
Dimming with push-button:	No		

Packaging data

Weight	840 gr
Width	100 mm
Height	61 mm
Length	282 mm
Customs code	8504409090

