



HDI-T E40 - METAL HALIDE

Typology

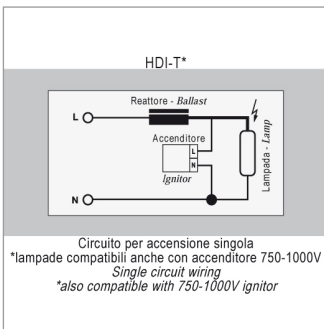
Discharge lamps.

Features

Product reliability. This is what the entire range of Duralamp discharge lamps has in common. Used in technical and professional installations where relamping is often difficult, discharge lamps must be lamps you can depend upon.

Notes

The HYPERCOLOR range with ceramic burners: excellent control of colour uniformity, colour rendering and colour stability over time.



133±15 Vac

Ra >65



10000 h

IP20

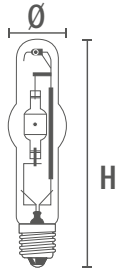
E40

-15°C
+35°C

Characteristic data

Power	400 W	Dimmable	No	Input	133±15 Vac	Base	E40
IP	20	Flux	34000 lm	Tc	4200/NDL K	Ra	>65

Dimensional characteristics



Ø	63 mm
H	280 mm

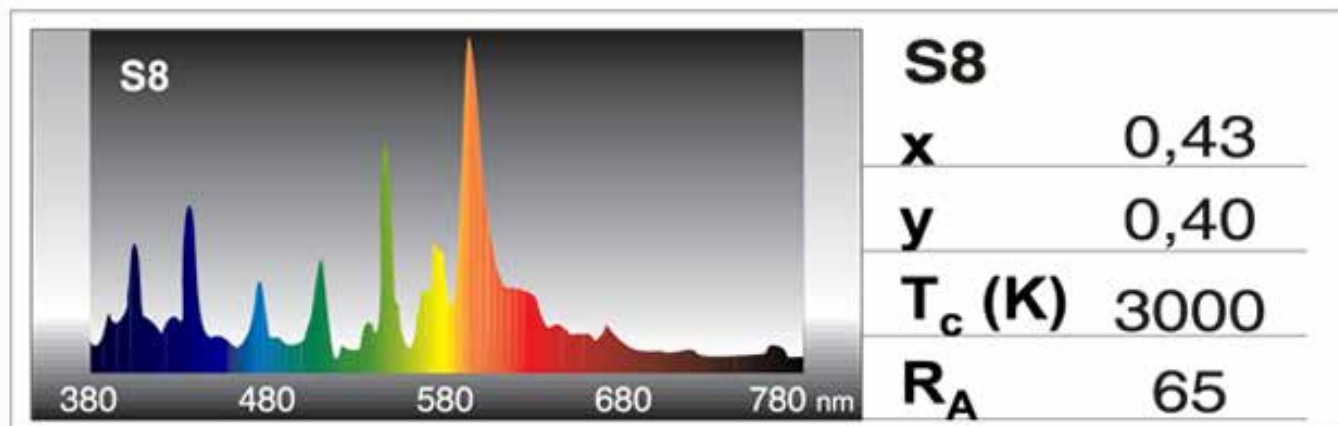
Lighting and photometric features

Flux	34000 lm
CCT nominal colour temperature	4200/NDL K
Colour rendering index	>65
Lifespan	10000 h
Mercury	56 mg
Luminous Flux Maintenance at 2000h	82
Luminous Flux Maintenance at 4000h	73
Luminous Flux Maintenance at 6000h	68
Luminous Flux Maintenance at 8000h	62
Luminous Flux Maintenance at 12000h	59
Lamp survival factor at 2000h	98
Lamp survival factor at 4000h	96
Lamp survival factor at 6000h	90
Lamp survival factor at 8000h	80
Lamp survival factor at 10000h	50

Electrical characteristics

Rated power	400 W
Input voltage	133±15 Vac
undefined	50 Hz
Dimmable	No
Input current	3.3 A
Operating temperature	-15°C / +35°C
Operating position	360°

Spectrometry



Standards and Directives

2009/125/EC, 245/2009, 347/2010, 1194/2012, 2015/1428, 2010/30/EU, 874/2012, 2011/65/EU, 2012/19/EU, 2014/30/EU, 2014/35/EU, 2015/863	CEI EN 62035:2016
CEI EN 55015:2020	CEI EN 62035/A1:2020

Logistics data

Item net weight	208 gr
Barcode single item	8011905041854
Number of pieces multiple pack	12
Barcode multiple pack	8011905733575