
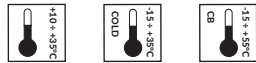


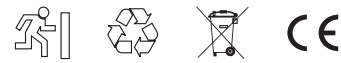
TM TECHNOLOGIE
emergency & evacuation lighting



IP 20 **LED** **3h** **850 °C**

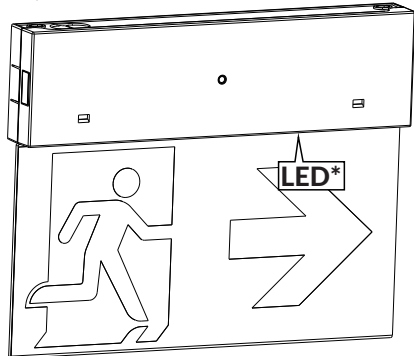
210 ÷ 250 V AC
50 / 60 Hz
186 ÷ 254 V DC



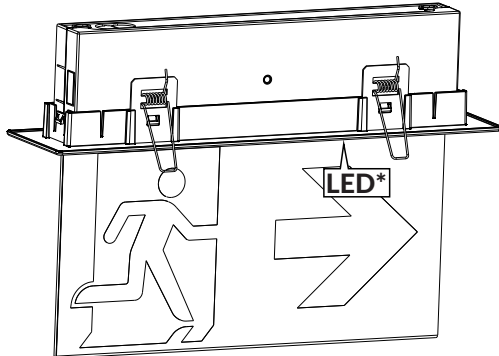


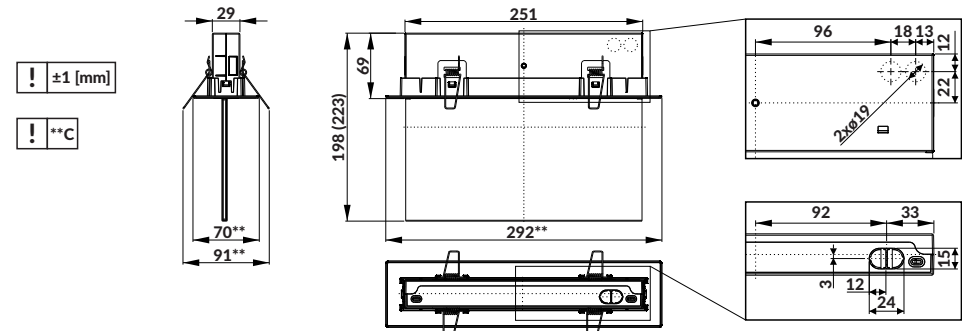
TM.ONTEC G

A, B



C

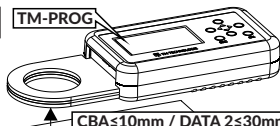




! ±1 [mm]
! **C

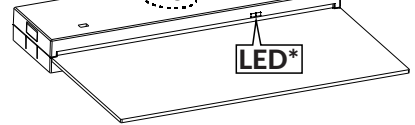
1 CBA / DATA 2

! CBA = CB2



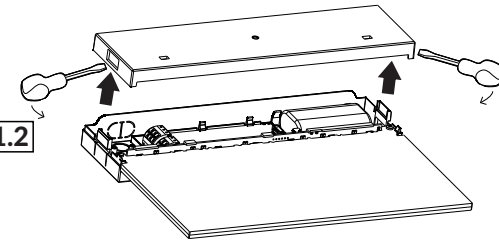
1.1

CBA ≤ 10mm / DATA 2 ≤ 30mm

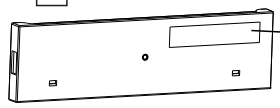


LED*

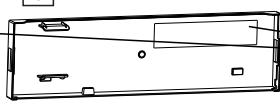
1.3



a



b



1A.4 ONTEC G

1B.4 N P

ONTEC G

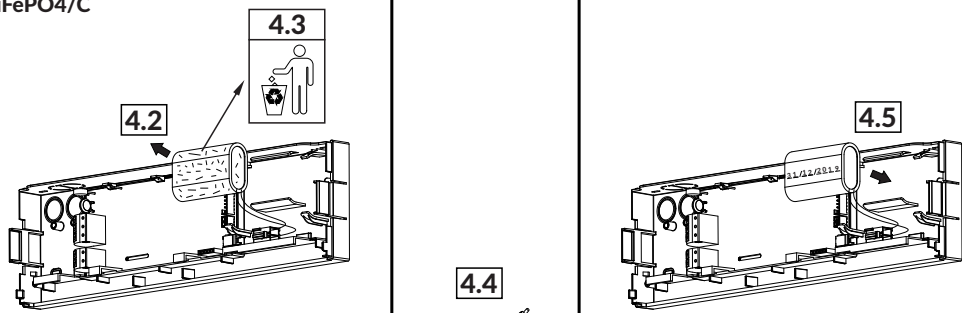
1C.4 N P

4

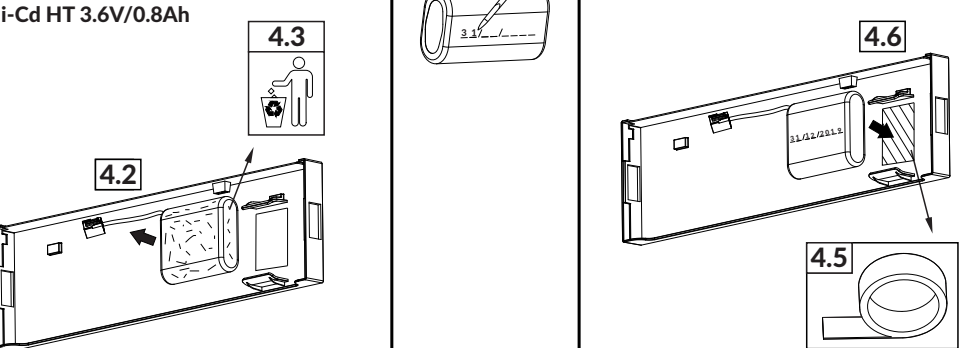
*ST / AT / DATA / DATA 2 / DALI

4.1 1.2 → 1.3 → 3.2a* (3.2b*)


LiFePO4/C



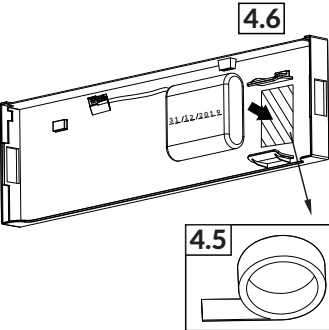
Ni-Cd HT 3.6V/0.8Ah



4.4



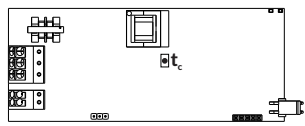
4.6



4.7 1.7a* (1.7b*) → 1.9

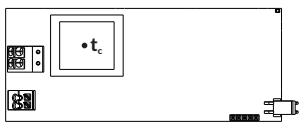
ONTEC G E1B / E1E / E1P

t_c 95°C



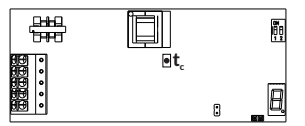
ONTEC G E1A / E1U

t_c 80°C



ONTEC G CBA

t_c 95°C



! CBA = CB2

