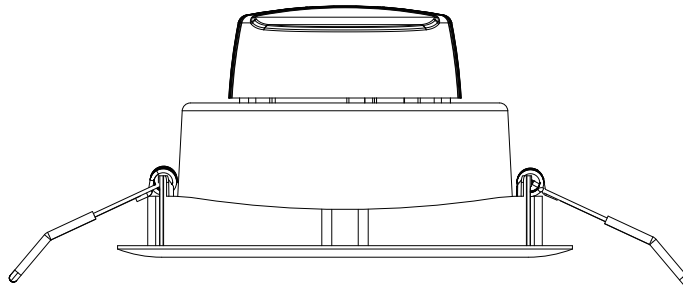
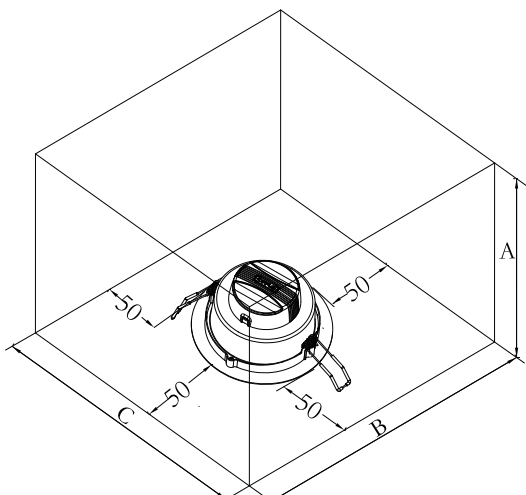
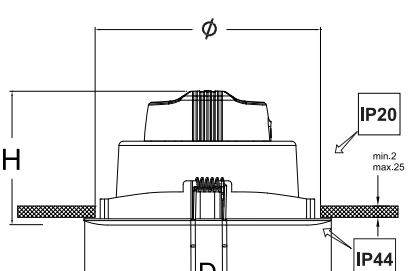


LED Downlight HZ

| Item Code | CCT | kg |
|-----------|-------|--------|
| 140051474 | 3000K | 0.19kg |
| 140051475 | 4000K | 0.19kg |
| 140051476 | 3000K | 0.26kg |
| 140051477 | 4000K | 0.26kg |
| 140051478 | 3000K | 0.33kg |
| 140051479 | 4000K | 0.33kg |
| 140051480 | 3000K | 0.37kg |
| 140051481 | 4000K | 0.37kg |

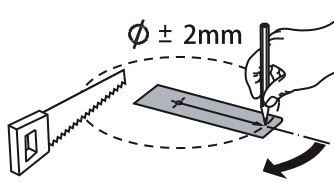



| Type | A | B | C |
|---------------------------|-----|-----|-----|
| LED DL-RC-HZ R125-7W-Dim | 100 | 250 | 250 |
| LED DL-RC-HZ R150-10W-Dim | 100 | 275 | 275 |
| LED DL-RC-HZ R175-13W-Dim | 100 | 300 | 300 |
| LED DL-RC-HZ R200-16W-Dim | 100 | 325 | 325 |



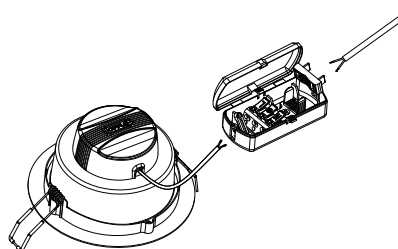
| Type | H | φ | D |
|---------------------------|----|-----|-----|
| LED DL-RC-HZ R125-7W-Dim | 75 | 125 | 138 |
| LED DL-RC-HZ R150-10W-Dim | 78 | 150 | 163 |
| LED DL-RC-HZ R175-13W-Dim | 78 | 175 | 188 |
| LED DL-RC-HZ R200-16W-Dim | 78 | 200 | 213 |

①

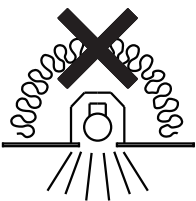
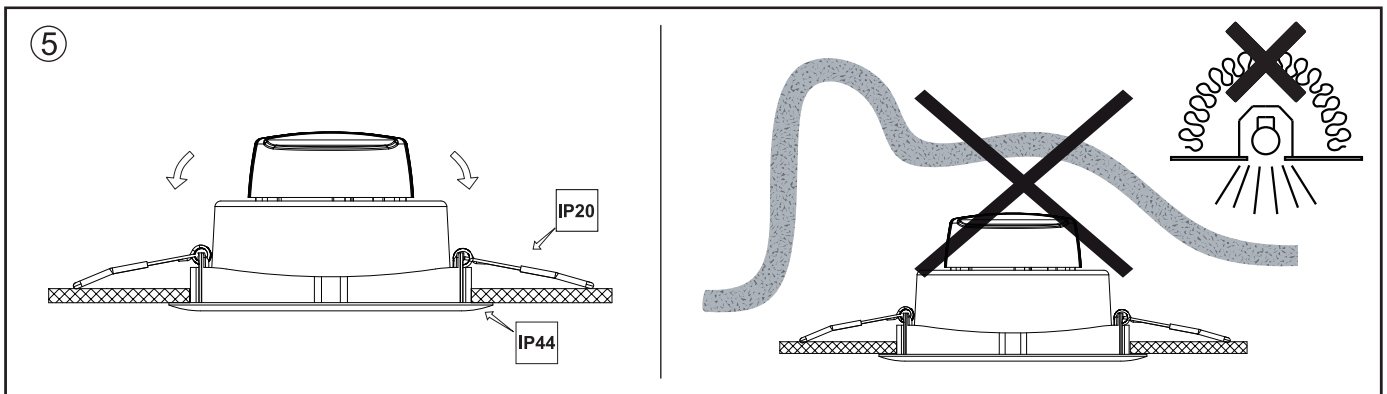
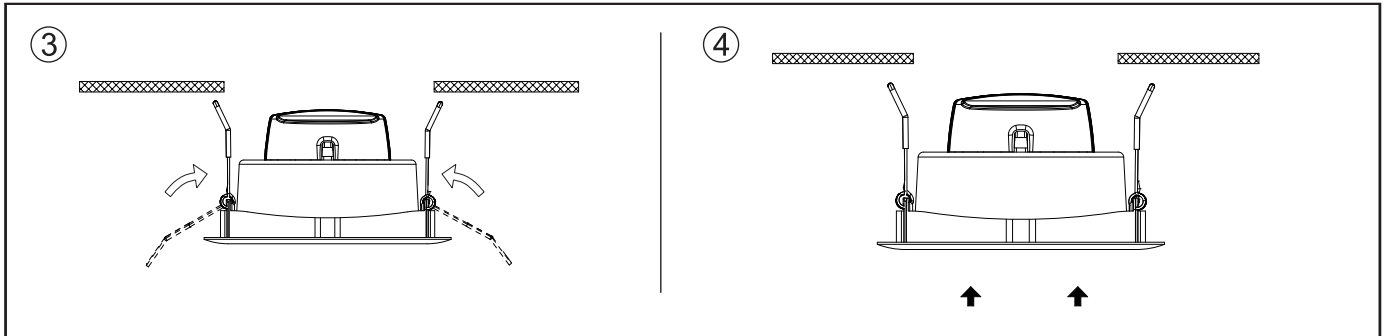
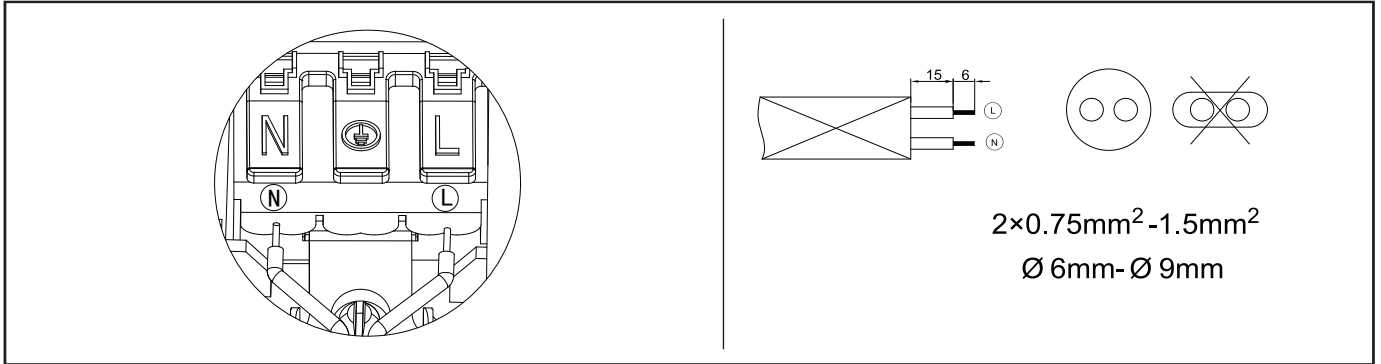


| Type | φ |
|---------------------------|-----|
| LED DL-RC-HZ R125-7W-Dim | 125 |
| LED DL-RC-HZ R150-10W-Dim | 150 |
| LED DL-RC-HZ R175-13W-Dim | 175 |
| LED DL-RC-HZ R200-16W-Dim | 200 |

②



Connection terminal not provided



Luminaires not suitable for covering with thermally insulating material.
Leuchten sind nicht mit thermisch isolierenden Materialien abzudecken.



In case of damage to the wire, it has to be replaced only by the manufacturer, distributor or by an expert, to avoid risks.

Caution: Any operation on LED module is forbidden while power-on.

Zur Vermeidung von Risiken müssen defekte Leitungen ausschließlich vom Hersteller, Inverkehrbringer oder Fachmann ausgetauscht werden.

Achtung: In Betrieb ist keine Arbeit am LED-Modul erlaubt.

