

215-134

Product Features:

- Dimmable with DALI signal
- 52 mA DALI power embedded for supplying DALI devices
- Built in on/off and rotary knob dimming control
- Protections: Over-voltage, overload
- Possibility of storing a basic brightness and a fixed power-on brightness
- Stand-by power: <math><0.5W</math>
- Set single address, group address, scene address or broadcast address via dip switch

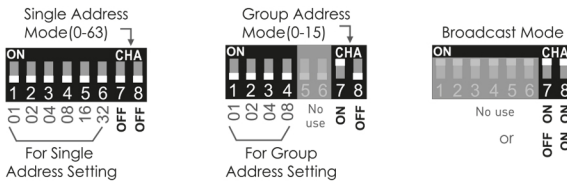
Technical Data:

Input voltage	220VAC 9.5-22.5VDC(via bus network cable)
Output current	52mA
Dimming mode	DALI
ECG max control	26
Power consumption	Max 2W
Operating temperature	0~40 C

Dip Switch Operation:

Via dip switch, you can set 64 single addresses(0-63), 16 group addresses(0-15) and broadcast addresses.

Total address value = the sum of the dip switch value
To get the place value when in "on" position, otherwise will be 0.



Short press: ON/OFF

Turn the knob: Dimming

ON+double press: Set the start-up brightness.

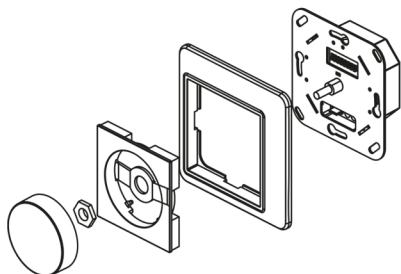
OFF+double press: Clear the start-up brightness.

ON+ long press(10S+): Set the minimum brightness.

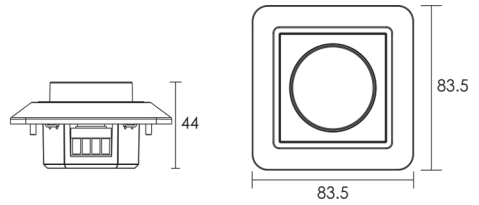
OFF+ long press(10S+): Clear the minimum brightness.

*Auto remember last brightness level as start-up brightness, unless you set it.

Installation Instruction:



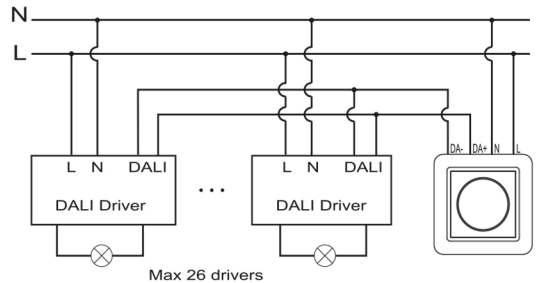
Dimensions(mm):



Wiring:

Method 1: A single DALI group configuration

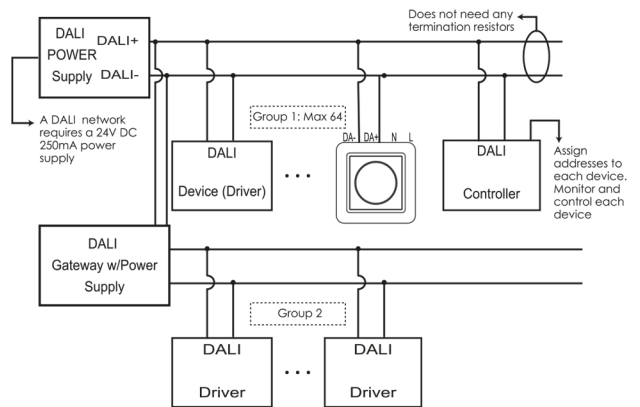
The DALI dimmer can control On/Off and dimming for a group of DALI drivers without DALI controller and DALI PS (Set DIP to broadcast)



Set Dip switch to broadcast. All devices, max 26, would be controlled as a group.

Method 2: A typical DALI configuration

The dimmer can be set to Group 1 or 2 through the DIP so as to control G1 or G2



Set Dip switch to single address-Only one Device with this address would be controlled.
Set Dip switch to a group address-All devices with this group addressed would be controlled.
Set Dip switch to broadcast-All device, max 26, would be controlled as a group.

Remarks: DALI address of each device is assigned by a DALI control system. The address of this DALI dimmer is to be set in relevant to that set by the DALI control system.