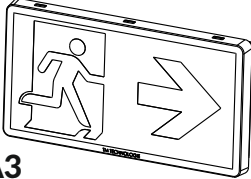
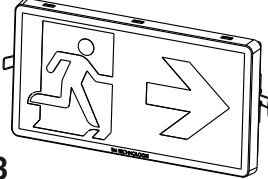


TM TECHNOLOGIE
emergency & evacuation lighting

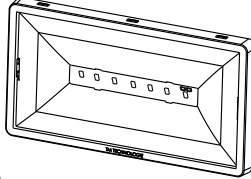
TM.ONTEC S



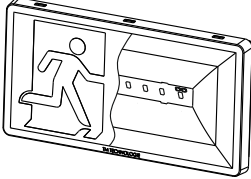
A3



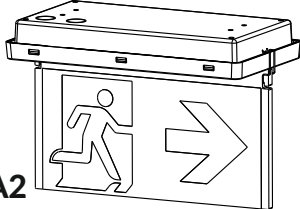
B3



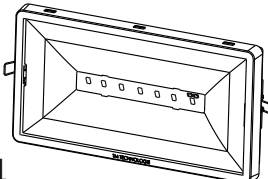
A1



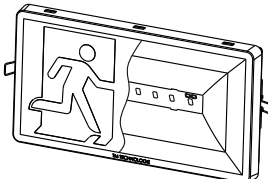
A2



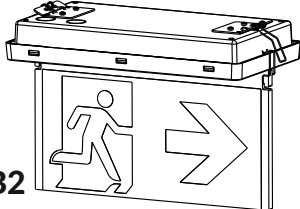
A2



B1



B2



B2

IP 44 **IP 65** **LED**

3h **850 °C**

210 ÷ 250 V AC
50 / 60 Hz
186 ÷ 254 V DC

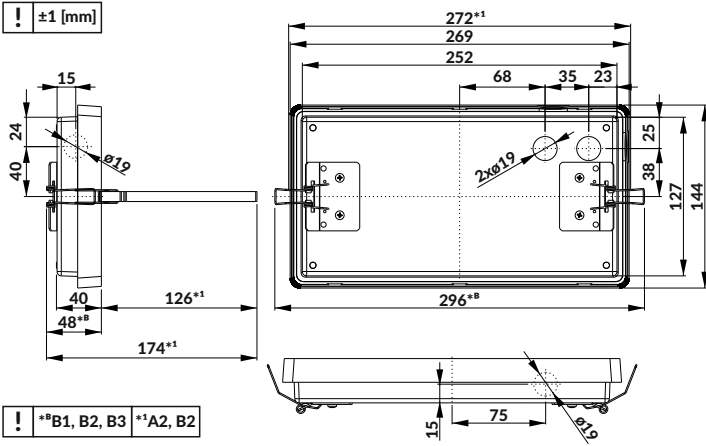
ERAC

0.7 m

CE

CNBOP-PIB

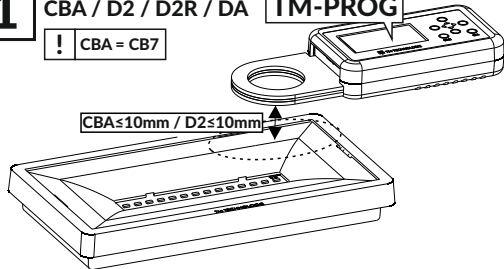
! ±1 [mm]



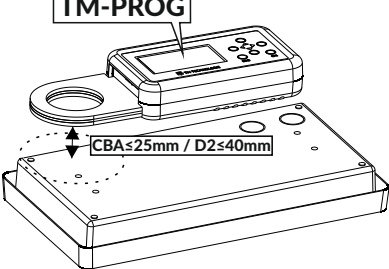
! *B1, B2, B3 *A2, B2

1 **CBA / D2 / D2R / DA** **TM-PROG**

! CBA = CB7



CBA ≤ 10mm / D2 ≤ 10mm



CBA ≤ 25mm / D2 ≤ 40mm

2

A1, A2, B1, B2

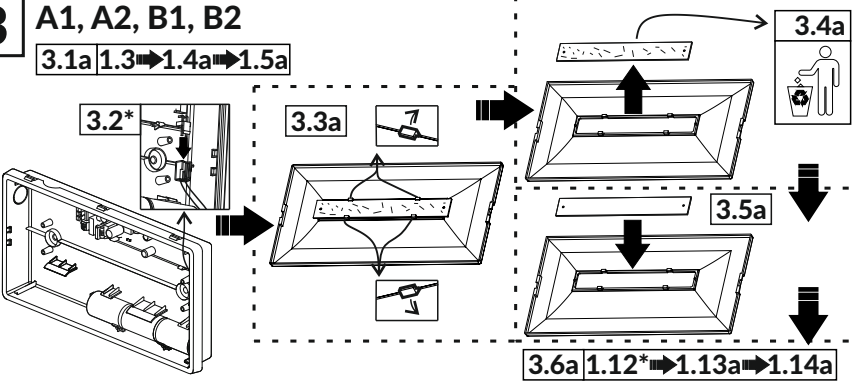
C1-C2

F1-F2

W1-W2

3 **A1, A2, B1, B2**

3.1a 1.3 → 1.4a → 1.5a

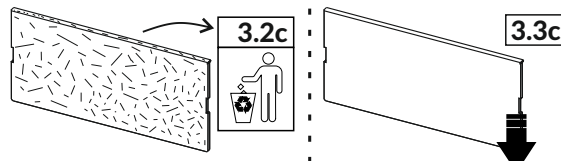


3.2* 3.3a 3.4a 3.5a

3.6a 1.12* → 1.13a → 1.14a

A3, B3

3.1c 1.3 → 1.4c → 1.5c → 3.2*



3.2c 3.3c

4 *ST / AT / DT / D2 / D2R / DA

A1, A2, B1, B2

4.1a

1.3 → 1.4a → 1.5a

A3, A3

4.1c

1.3 → 1.4c → 1.5c

LiFePO4/C
3.2V
1.5Ah

4.2 4.3 4.4 4.5 4.6

3.4c

1.12*

1.13c*

1.14c*

Ni-Cd
3.6V
1.5Ah
(2.5Ah)

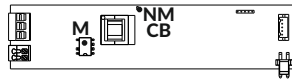
4.2 4.3 4.4 4.5 4.6

LiFePO4/C
6.4V
1.5Ah
(3.0Ah)
(4.5Ah)

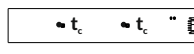
4.2 4.3 4.4 4.5 4.6

A1, A2 4.7a 1.12* → 1.13a → 1.14a

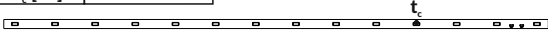
ONTEC S	M	NM	CB
t _c [°C]	102	77	105



ONTEC S	1 LED	2 LED
t _c [°C]	68	

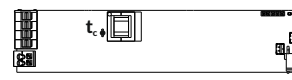


ONTEC S	E1P (14 LED)
t _c [°C]	50




A3, B3 4.7c 1.12* → 1.13c → 1.14c

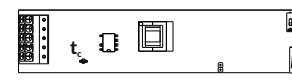
ONTEC S	M1
t _c [°C]	91



ONTEC S	7 LED	14 LED	21 LED
t _c [°C]	59		



ONTEC S	CBA
t _c [°C]	100



! CB = CB1
CBA = CB7

