



LED Waterproof Performer G3

- Powerful range of waterproof luminaires in specific "sealed for life" design
- High efficacy up to 135 lm/W
- Available as Smart Lighting solution (BLE) and DALI2
- Quick installation thanks to its screwless endcap
- Supplied with vandal-proof stainless steel ceiling and suspension clips
- Equipped with throughwiring, special PLUS version with 2 additional wires
- DALI2 driver compatible with 230V push dimming



Specifications

Item Code	Item Description	Equivalent to (W)	Power (W)	Lumen	Efficacy (lm/W)	CCT (K)	Internal wiring (mm ²)	Weight (kg/pc)
543022015800	LEDWaterproof-P3 L1310-24W-4000	TL 1x36W	24	3100	130	4000	3x2.5	1.55

DALI2 versions are compatible with central emergency lighting according to EN 50172.
Available on request with 3- or 5- pole Wieland GST18i connector.

Packaging Information

Item		Box			
Item Code	Item Description	Dimensions (mm) (LxWxH)	Gross Weight (kg)	EAN	pc/box
506005002100	LEDWaterproof-P3-Mounting Kit	290x290x240	7.39	6941408831244	1
543022015800	LEDWaterproof-P3 L1310-24W-4000	1352x84x81	1.80	6941408825656	1



Technical Specifications

Lifetime (L70)	70,000 h
Lifetime (L80)	50,000 h
On-/Off-cycles	100,000
Colour consistency (SDCM)	4
Dimmability	On-Off
Beam angle	110 °
Finishing	Grey RAL 7035
Colour rendering index CRI	≥ 80
Degree of protection (IP)	IP65
Impact strength	IK08
Protection class	II
Risk group (EN 62471)	RG0
With control gear	Yes
Glow wire test	850 °C
Driver failure rate (at 5,000 hrs)	0.5 %
Power factor	≥ 0.9
Input wire diameter	1mm ² - 2.5mm ²

Electrical Supply

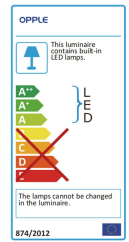
Frequency	50/60 Hz
Nominal voltage	220-240 V AC
DC input voltage	See Appendix 4

Mechanical Properties

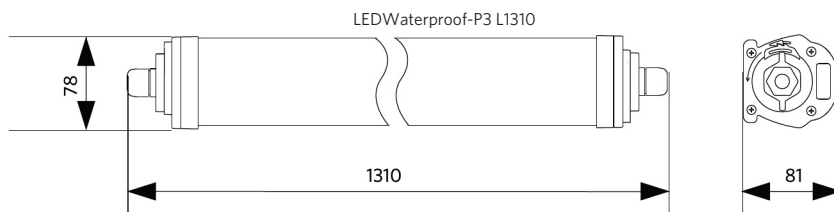
Material housing	Polycarbonate (PC)
UV resistant	Yes
Optical material	Polycarbonate
Mounting clips	Stainless steel

Ambient Conditions

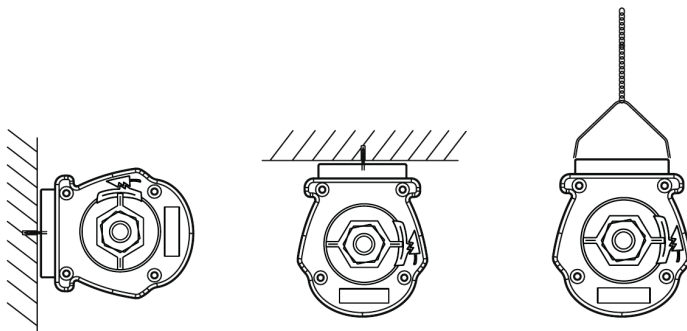
Operating temperature	-25-+45 °C
Application temperature	+25 °C
Storage environment	-25-+50 °C



Dimensional Drawing (mm)



Installation Possibilities



Photometric Data

