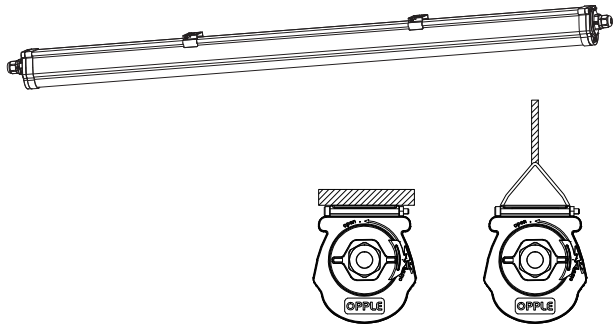
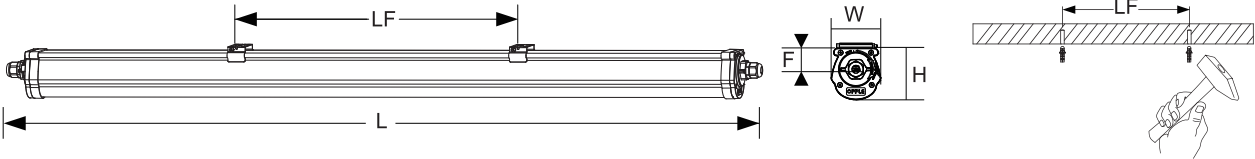


# LED Waterproof Performer G3

# OPPLE

Version date 10-10-2019  
www.opple.com

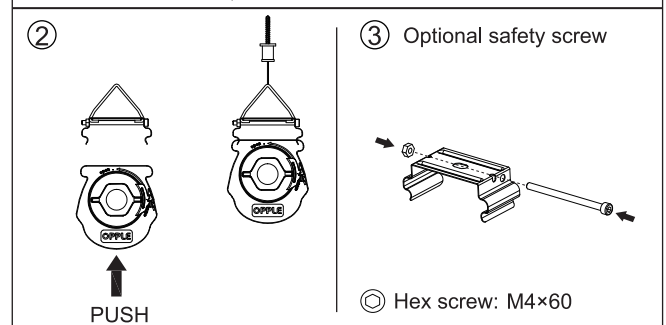
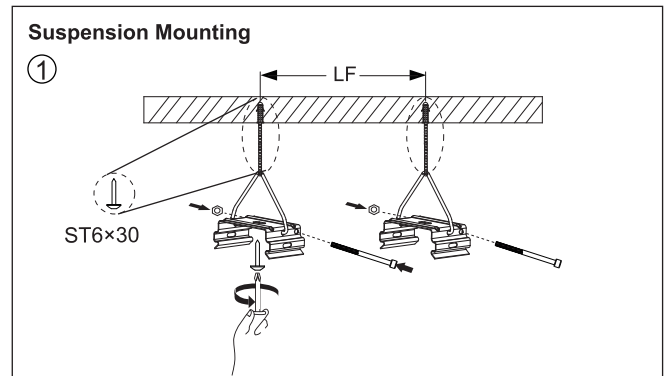
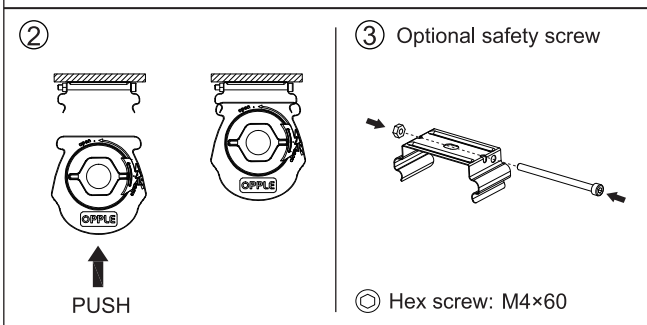
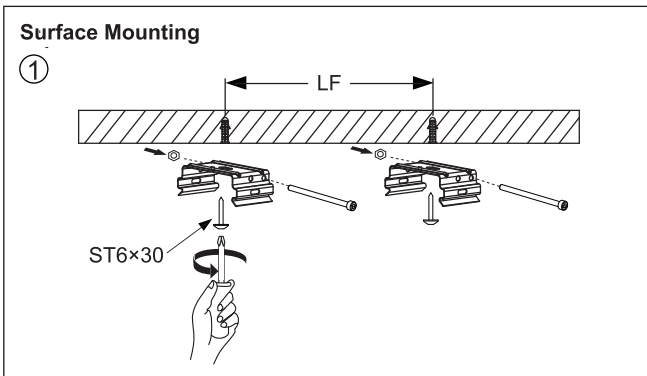
| Item Code    | CCT   | kg      |
|--------------|-------|---------|
| 543022015500 | 4000K | 0.89kg  |
| 543022015600 | 4000K | 0.89kg  |
| 543022015800 | 4000K | 1.55kg  |
| 543022015700 | 4000K | 1.55kg  |
| 543022015900 | 6500K | 1.55kg  |
| 543022016000 | 4000K | 1.714kg |
| 543022016100 | 4000K | 1.714kg |
| 543022016200 | 4000K | 1.714kg |
| 543022016600 | 6500K | 1.714kg |
| 543022016300 | 4000K | 1.595kg |
| 543022016400 | 4000K | 1.772kg |
| 543022016500 | 4000K | 1.772kg |

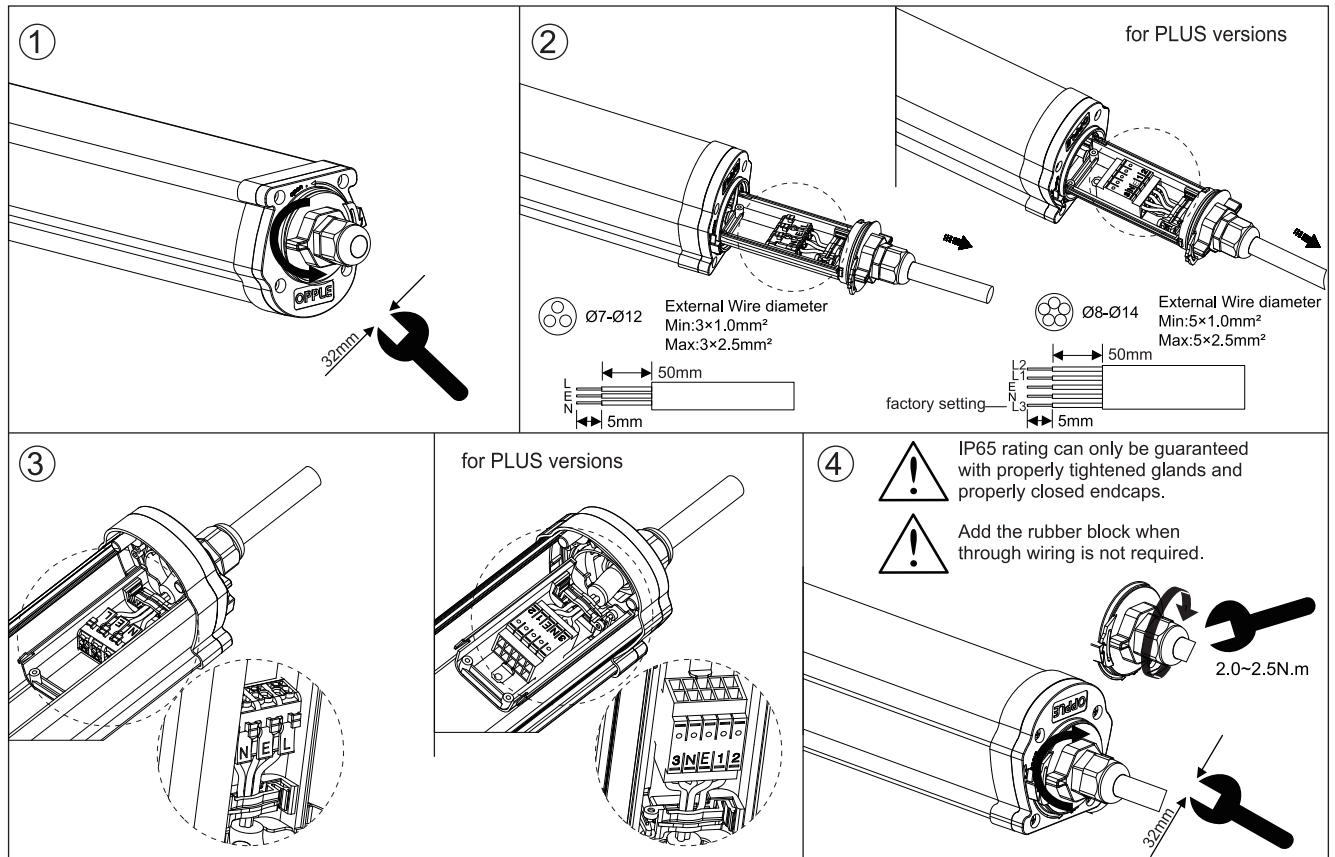
| Model                    | L (mm) | LF (mm) | W (mm) | H (mm) | F (mm) | Rated Power | Max total luminaires connected using external 1.5mm <sup>2</sup> wire | Max total luminaires connected using external 2.5mm <sup>2</sup> wire |
|--------------------------|--------|---------|--------|--------|--------|-------------|---|---|
| LED WP-P3 L710-12.5W     | 710    | 300     | 81     | 78     | 22     | 12.5W       | 20  | 40  |
| LED WP-P3 L710-24W       | 710    | 300     |        |        |        | 24W         | 15  | 30  |
| LED WP-P3 L1310-24W      | 1310   | 600     |        |        |        | 24W         | 15  | 30  |
| LED WP-P3 L1310-38W      | 1310   | 600     |        |        |        | 38W         | 15  | 30  |
| LED WP-P3 L1310-38W      | 1310   | 600     |        |        |        | 38W         | 15  | 30  |
| LED WP-P3 L1610-31W      | 1610   | 750     |        |        |        | 31W         | 15  | 30  |
| LED WP-P3 L1610-47W      | 1610   | 750     |        |        |        | 47W         | 10  | 20  |
| LED WP-P3 L1610-54W      | 1610   | 750     |        |        |        | 54W         | 10  | 20  |
| LED WP-P3 L1610-54W      | 1610   | 750     |        |        |        | 54W         | 10  | 20  |
| LED WP-P3 L1310-38W PLUS | 1310   | 600     |        |        |        | 38W         | 15  | 30  |
| LED WP-P3 L1610-31W PLUS | 1610   | 750     |        |        |        | 31W         | 15  | 30  |
| LED WP-P3 L1610-54W PLUS | 1610   | 750     |        |        |        | 54W         | 10  | 20  |

Rated Voltage: 220-240V~ Frequency: 50/60Hz Max current should not exceed 16A in one power feed in circuit (L1+L2+L3)

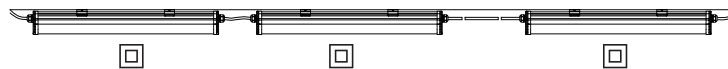
## Installation



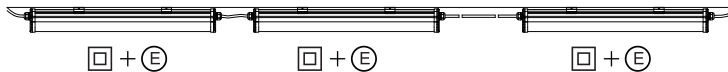
## Wiring



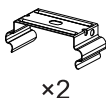
**LUMINAIRE IS ELECTRICAL PROTECTION CLASS II, GROUND WIRING IS NOT MANDATORY**



The luminaire is equipped with an extra through wire that can be used to connect the ground wire to the end of the line



## Components



Components included in the packaging inside the components box.



Caution: Any operation on LED module is forbidden while power-on.  
Zur Vermeidung von Risiken müssen defekte Leitungen ausschließlich vom Hersteller, Inverkehrbringer oder Fachmann ausgetauscht werden.  
Achtung: In Betrieb ist keine Arbeit am LED-Modul erlaubt.



For non-user replaceable light sources:  
The light source contained in this luminaire shall only be replaced by the manufacturer or his service agent or a similar qualified person.  
Das Leuchtmittel dieser Leuchte ist nicht austauschbar. Wenn das Leuchtmittel das Ende seiner Lebensdauer erreicht hat, muss die gesamte Leuchte ersetzt werden.



For use in environments where normal non-conductive/conductive dust accumulation may be expected, not for use in environments with expected high/unusual dust accumulation.



Data subject to change Les données sont sujettes à modifications Änderungen vorbehalten

Opplé Lighting Electronic (Zhongshan) Co., Ltd.  
528422  
Building A, No.275 Dongan Bei Road,  
Haizhou District, Guzhen Town,  
Zhongshan City, Guangdong, China.

OPPLE Lighting B.V.  
Materiaalweg 6-6A  
5681 RJ Best  
The Netherlands  
service@opple.com  
www.opple.com