



Lowbay

- Stylish solution for medium high ceilings in retail and industry



Specifications

Item Code	Item Description	Equivalent to (W)	Power (W)	Lumen	Efficacy (lm/W)	CCT (K)	Beam angle	Weight (kg/pc)
545002000200	LEDLowbay-E 80W-4000-60D	HID 100W	80	7200	90	4000	60°	1.70

Accessories



545098004100
Lowbay-PC-Reflector-80W

Packaging Information

Item		Box			
Item Code	Item Description	Dimensions (mm) (LxWxH)	Gross Weight (kg)	EAN	pc/box
545002000200	LEDLowbay-E 80W-4000-60D	465x465x215	3.03	6956321806873	1
545098004100	Lowbay-PC-Reflector-80W	480x480x480	1.50	6941408863214	1

Technical Specifications

Lifetime (L70)	60,000 h
Lifetime (L80)	40,000 h
On-/Off-cycles	100,000
Colour consistency (SDCM)	4
Dimmability	On-Off
Finishing	Silver
Colour rendering index CRI	≥ 80
Degree of protection (IP)	IP20
Impact strength	IK03
Protection class	I
Risk group (EN 62471)	RG1
With control gear	Yes
Glow wire test	650°C
Driver failure rate (at 5,000 hrs)	1 %
Power factor	≥ 0.9

Electrical Supply

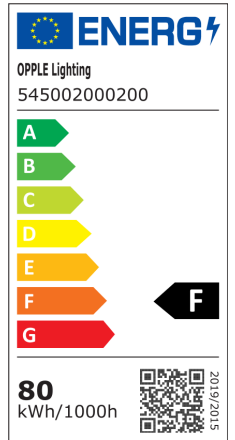
Frequency	50/60 Hz
Nominal voltage	220-240 V AC
DC input voltage	See catalogue Technical Data section
230V Cable length	2 m

Mechanical Properties

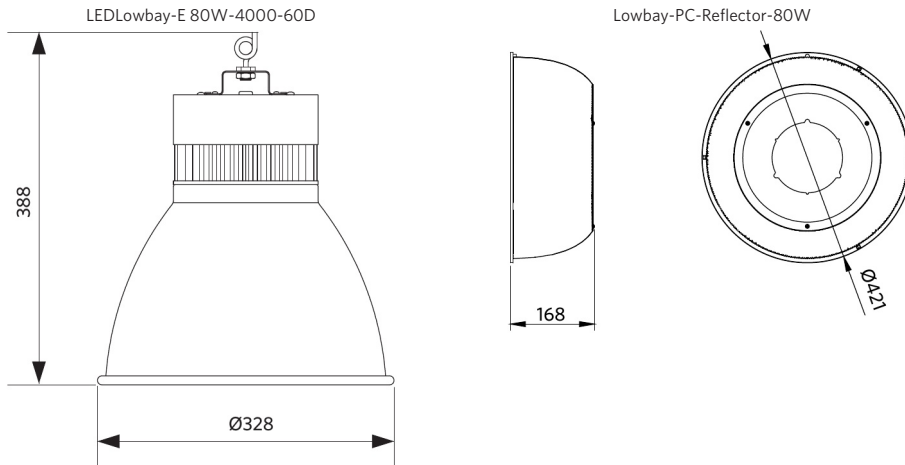
Material housing	Aluminium
Optical material	Polycarbonate

Ambient Conditions

Operating temperature	-20-+45°C
Application temperature	+25°C
Storage environment	-30-+50°C



Dimensional Drawing (mm)



Photometric Data

