



Installation Instruction

Model : 140-093

Input : AC 220-240V

Power : 28W



IP67

Safety Notice:

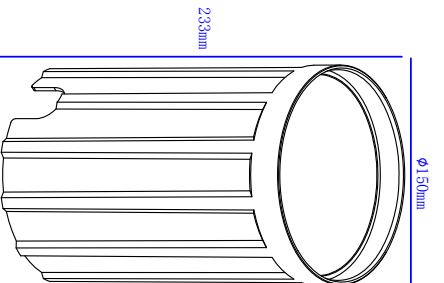
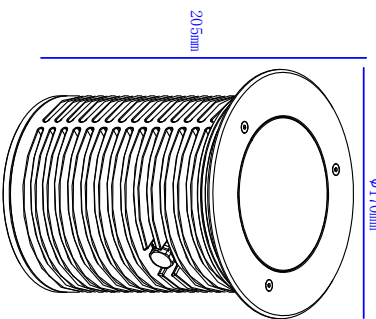
Please read this installation instruction before you install, and must be install by a professional. If you not follow the installation instruction, it maybe lead to damage, fire or body hurt.

1. When use product, please pay attention to voltage and constant current.

2. Please use your local standard identification cable, and must be higher than product voltage and constant current.

3. Please power off before wiring.

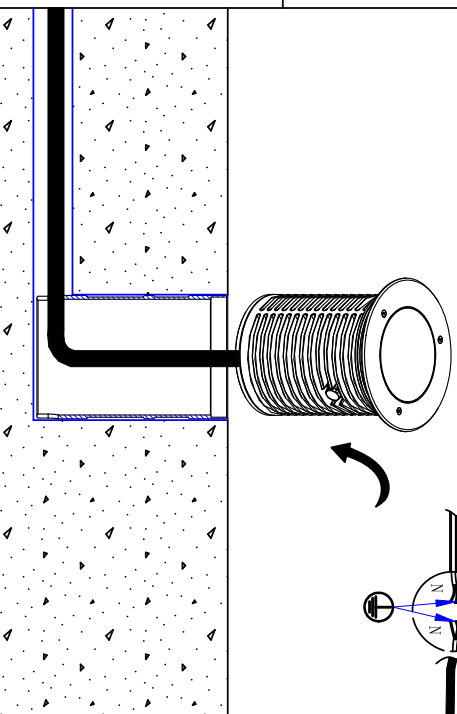
4. If need to replace parts or repair, please ensure use specified parts of supplier and change by supplier or other professional. If not be handled properly, it will lead to electric shock or other harmful effects.



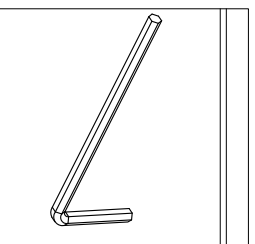
FLG-1



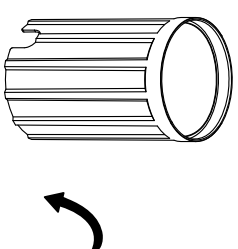
FLG-3



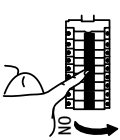
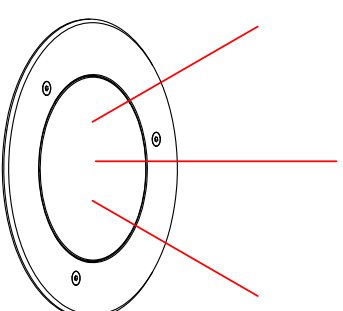
Parts:



FLG-2



FLG-4



. CONNECT IN PARALLEL

