

Scharfer

Professional LED power supplies



Model: **SCH-20-12** Size: 162*29*21mm
SCH-20-24



Brief Information

Powermax™
Technology Inside

20W

Waterproof Power Supply (C.V.)

Model SCH-20-12 / SCH-20-24

Input 100-250V AC

Output 12VDC 1.67A 20W / 24VDC 0.83A 20W

Product Features

- Compact size, easy for installation
- High transfer efficiency
- Wide input range
- Stable constant voltage output
- IP67, both indoor & outdoor use suitable
- 100% full loading, 100% burn-in tested
- Overload/short circuit protection

MAIN ELECTRICAL DATA

AC Input

| | |
|-------------------|------------------|
| Input Voltage | 100-250V AC |
| Input Frequency | 50/60Hz |
| Efficiency (Typ.) | 83% |
| Input Current | 230V: 0.18A max. |
| Inrush Current | 40A |
| Leakage Current | 3mA/230VAC |

DC Output

| | | |
|-----------------------|---------------|---------------|
| Output Voltage | 12V | 24V |
| Rated Current | 1.67A | 0.83A |
| Rated Power | 20W | 20W |
| Ripple & Noise (Max.) | <200mVp-p | <200mVp-p |
| Setup, Rise Time | 1500ms/230VAC | 1500ms/230VAC |
| Line Regulation | 1% | 1% |
| Load Regulation | 1% | 1% |

Service Environment

| | |
|------------------|------------|
| Working Temp. | -30°C~50°C |
| Working Humidity | 20~95%RH |
| Storage Temp. | -40°C~80°C |
| Storage Humidity | 10~95%RH |

Protection

| | |
|---------------|---|
| Overload | Yes, Cut-off mode Output shuts down if over-loaded |
| Short Circuit | Yes, hiccup mode, recovers automatically after fault condition is removed |

Safety

| | |
|----------------------|--|
| Safety Standard | EN 61347-2-13 |
| Withstand Voltage | I/P-O/P: 3000VAC/1min/<5mA |
| Isolation Resistance | I/P-O/P: >100M Ohms / 500VDC /25°C / 70%RH |

Packaging Information

| | |
|---------------------|-------------|
| Product Dimension | 162*29*21mm |
| Products Net Weight | 170G |
| PCS/Carton(QTY) | 100 PCS |
| Master Carton Size | 39*39*21cm |
| G. Weight/ Carton | 19KG |

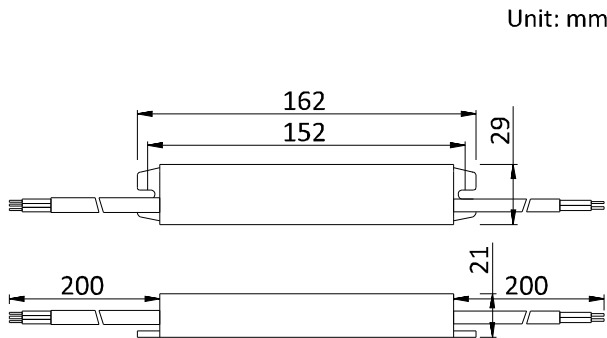
Installation Tips:

- Please identify the power supply's input and output before installation.
- Ensure correct output + & - wire connection. Power on after wire connection is done.
- To avoid voltage drop and loading capacity wasting on the output extension wire, please install the power supply to the loading as near as possible, if must use long extension wires, thicker wires and less loading wattage is required.
- The power supply to be installed at good ventilation and cooling environment.

Scharfer

Professional LED power supplies

Physical Drawing



Brief Information

Powermax™
Technology Inside

20W

Waterproof Power Supply (C.V.)

Model SCH-20-12 / SCH-20-24

Input 100-250V AC

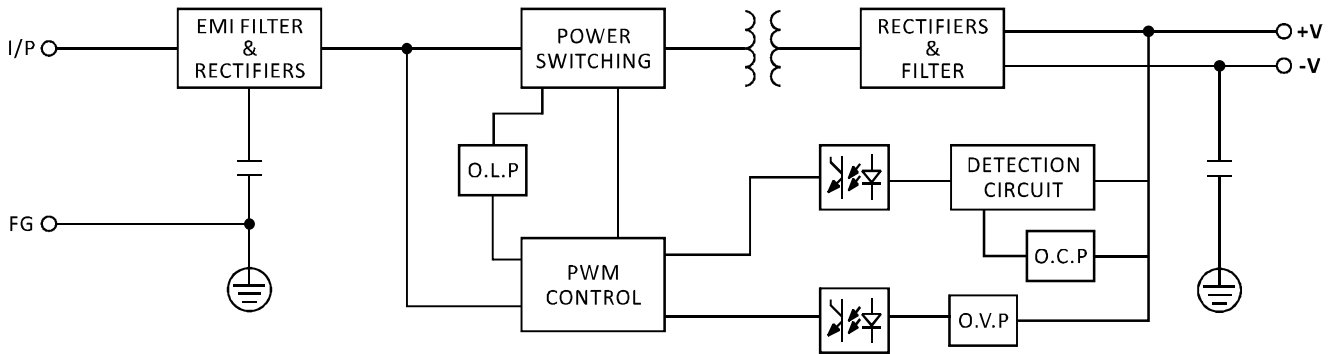
Output 12VDC 1.67A 20W / 24VDC 0.83A 20W

Input: 3x0.75mm² wire, Brown L, Blue N
200mm length

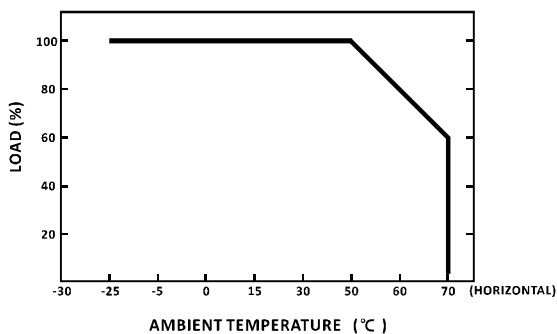
Output: 2x0.75mm² wire, Red +, Black -
200mm length

Housing: Aluminium

Block Diagram



Derating Curve



Static Characteristics

