



Post Top

- Professional post-top solution with optimal light performance
- Integrates well into existing landscape
- Different optics to suit the application and reduce glare
- Die casted aluminium body for optimal heat dissipation
- IP66 and suitable for use on the coastal applications



Specifications

| Item Code | Item Description | Equivalent to (W) | Power (W) | Lumen | Efficacy (lm/W) | CCT (K) | Beam angle | Compatible pole Ø (mm) | Weight (kg/pc) |
|--------------|-------------------------------|-------------------|-----------|-------|-----------------|---------|------------|------------------------|----------------|
| 708000001000 | LEDPostTop-P1- 33W-4000-W-D76 | HID 50W | 33 | 4500 | 135 | 4000 | 160° | 76 mm | 7.68 |

Accessories



599000004600
LEDStreet-SE-ExtensionCable-6m

Packaging Information

| Item | | Box | | | |
|--------------|--------------------------------|-------------------------|-------------------|---------------|--------|
| Item Code | Item Description | Dimensions (mm) (LxWxH) | Gross Weight (kg) | EAN | pc/box |
| 599000004600 | LEDStreet-SE-ExtensionCable-6m | 100x60x350 | 0.68 | 6956321815370 | 1 |
| 708000001000 | LEDPostTop-P1- 33W-4000-W-D76 | 530x530x285 | 9.40 | 6941408856988 | 1 |

Technical Specifications

| | |
|------------------------------------|----------------|
| Lifetime (L70) | 100,000 h |
| Lifetime (L80) | 70,000 h |
| On-/Off-cycles | 100,000 |
| Colour consistency (SDCM) | 5 |
| Dimmability | On-Off |
| Finishing | Grey RAL 870-3 |
| Colour rendering index CRI | ≥ 70 |
| Degree of protection (IP) | IP66 |
| Impact strength | IK08 |
| Protection class | I |
| Risk group (EN 62471) | RG0 |
| With control gear | Yes |
| Glow wire test | 850°C |
| Driver failure rate (at 5,000 hrs) | 0.5 % |
| Power factor | ≥ 0.9 |
| Surge protection | 10 kV |

Electrical Supply

| | |
|------------------|--------------------------------------|
| Frequency | 50/60 Hz |
| Nominal voltage | 220-240 V AC |
| DC input voltage | See catalogue Technical Data section |

Mechanical Properties

| | |
|---------------------|----------------------|
| Material housing | Aluminium |
| Optical material | Polycarbonate |
| Cover material | Tempered glass |
| Effective wind area | 1590 cm ² |
| Coastal proof | Yes |

Ambient Conditions

| | |
|-------------------------|-----------|
| Operating temperature | -30-+50°C |
| Application temperature | +25°C |
| Storage environment | -40-+60°C |



ENERGY

OPPLE Lighting
708000001000

A
B
C
D
E
F
G

D

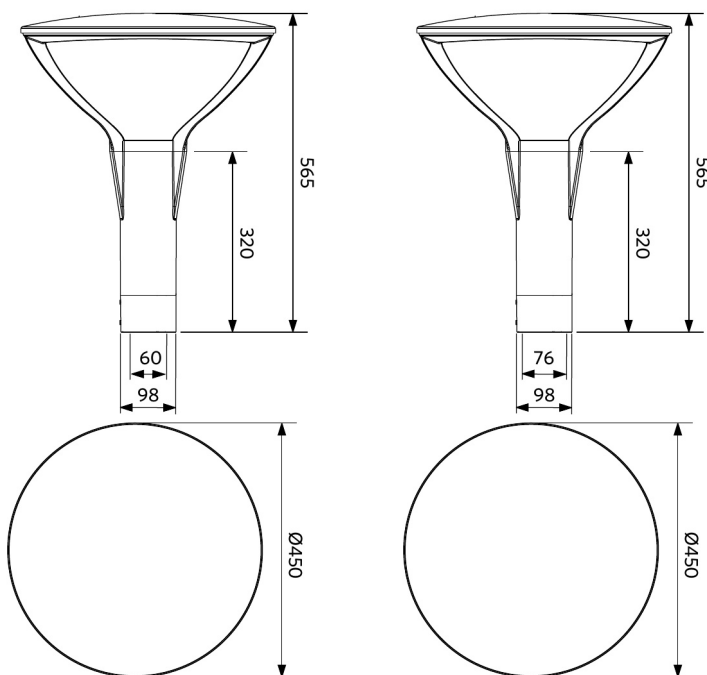
33
kWh/1000h

2019/2015

Dimensional Drawing (mm)

LEDPostTop-P1
D60

LEDPostTop-P1
D76



Photometric Data

