



## Post Top

- Professional post-top solution with optimal light performance
- Integrates well into existing landscape
- Different optics to suit the application and reduce glare
- Die casted aluminium body for optimal heat dissipation
- IP66 and suitable for use on the coastal applications



## Specifications

Item Code	Item Description	Equivalent to (W)	Power (W)	Lumen	Efficacy (lm/W)	CCT (K)	Beam angle	Compatible pole Ø (mm)	Weight (kg/pc)
543016006000	LEDPostTop-P1- 33W-3000-W	HID 50W	33	4300	130	3000	160°	60 mm	7.68

## Accessories



599000004600  
LEDStreet-SE-ExtensionCable-6m

## Packaging Information

Item		Box			
Item Code	Item Description	Dimensions (mm) (LxWxH)	Gross Weight (kg)	EAN	pc/box
543016006000	LEDPostTop-P1- 33W-3000-W	530x530x285	9.40	6941408854823	1
599000004600	LEDStreet-SE-ExtensionCable-6m	100x60x350	0.68	6956321815370	1

## Technical Specifications

Lifetime (L70)	100,000 h
Lifetime (L80)	70,000 h
On-/Off-cycles	100,000
Colour consistency (SDCM)	5
Dimmability	On-Off
Finishing	Grey RAL 870-3
Colour rendering index CRI	≥ 70
Degree of protection (IP)	IP66
Impact strength	IK08
Protection class	I
Risk group (EN 62471)	RG0
With control gear	Yes
Glow wire test	850°C
Driver failure rate (at 5,000 hrs)	0.5 %
Power factor	≥ 0.9
Surge protection	10 kV

## Electrical Supply

Frequency	50/60 Hz
Nominal voltage	220-240 V AC
DC input voltage	See catalogue Technical Data section

## Mechanical Properties

Material housing	Aluminium
Optical material	Polycarbonate
Cover material	Tempered glass
Effective wind area	1590 cm <sup>2</sup>
Coastal proof	Yes

## Ambient Conditions

Operating temperature	-30-+50°C
Application temperature	+25°C
Storage environment	-40-+60°C



**ENERGY**

OPPLE Lighting  
543016006000

A  
B  
C  
D  
E  
F  
G

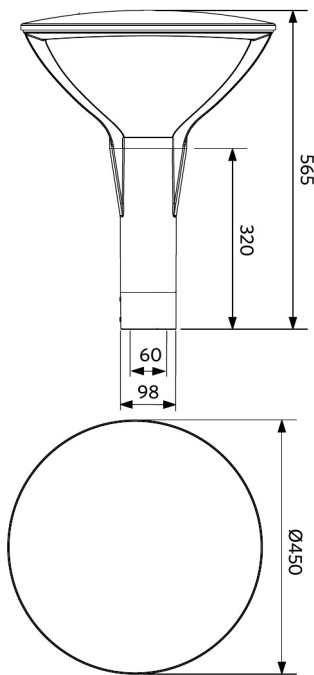
**E**

**33**  
kWh/1000h

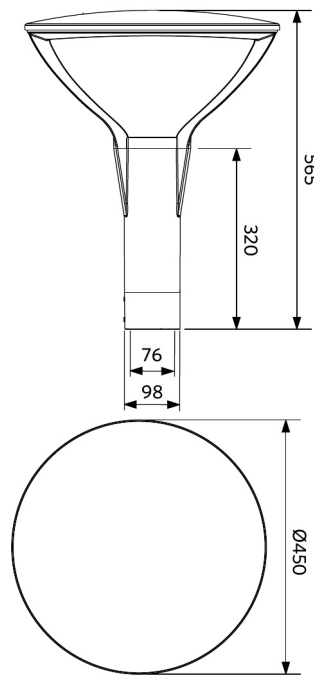
2019/2015

## Dimensional Drawing (mm)

LEDPostTop-P1  
D60



LEDPostTop-P1  
D76



## Photometric Data

