

INSTALLATION MANUAL

67470A

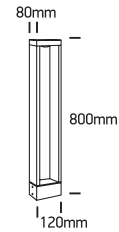
ecolight



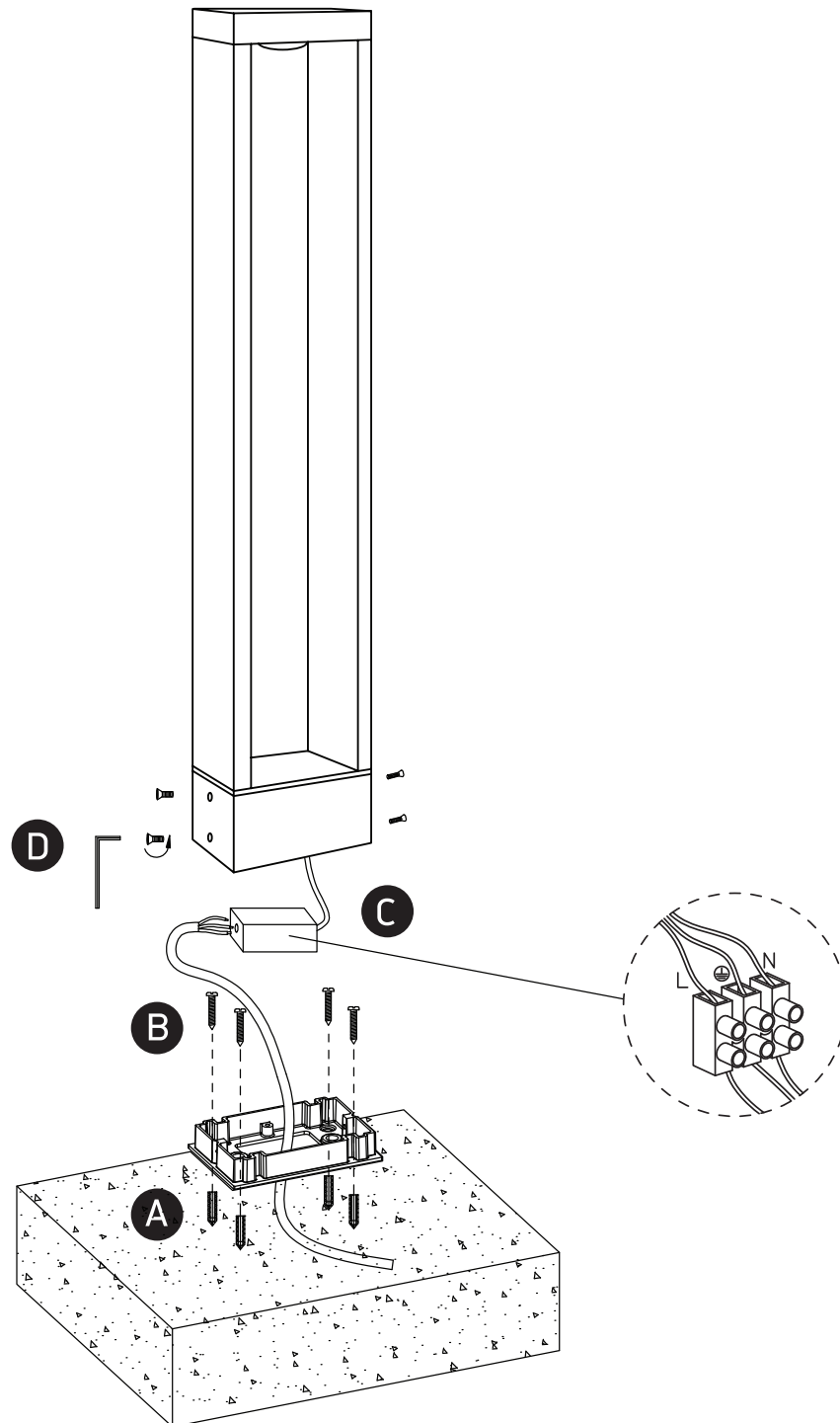
100-240V | LED | 10W | IP65 | Die cast

Complete with 260mA driver.

80
CRI



one
LIGHT



Warnings:

1. Make sure that the product is installed properly before connecting to electricity.
2. Do not cover the fitting.
3. Maintenance and installation should only be carried out by a professional electrician.