



## Spot Projector

- Stylish outdoor spot
- Sleek award-winning design
- Suitable for illuminating walls and signages or highlighting objects in parks and gardens
- IP66 water resistance level and IK07 impact protection
- Adjustable tilting angle of 180°
- Die casted aluminium body
- 1.5 meter cable for convenient connection
- Earth spike accessory available



## Specifications

Item Code	Item Description	Equivalent to (W)	Power (W)	Lumen	Efficacy (lm/W)	CCT (K)	Beam angle	Weight (kg/pc)
709000027600	LEDSpotProjector-E Rd127-15W-840-36D	Halogen 75W	15	1200	80	4000	36°	0.95

## Accessories



709098000200  
LEDSpotProjector Spike



543098021900  
LEDFixture-IP68-Connector-Kit-3

## Packaging Information

Item		Box			
Item Code	Item Description	Dimensions (mm) (LxWxH)	Gross Weight (kg)	EAN	pc/box
543098021900	LEDFixture-IP68-Connector-Kit-3	265x245x205	3.00	6941497708991	1
709000027600	LEDSpotProjector-E Rd127-15W-840-36D	163x163x155	1.17	6941497753144	1
709098000200	LEDSpotProjector Spike	80x80x280	0.22	6941497753137	1

## Technical Specifications

Lifetime (L70)	50,000 h
Lifetime (L80)	30,000 h
On-/Off-cycles	100,000
Colour consistency (SDCM)	4
Dimmability	On-Off
Finishing	Black
Colour rendering index CRI	≥ 80
Degree of protection (IP)	IP66
Impact strength	IK07
Protection class	I
Risk group (EN 62471)	RG1
With control gear	Yes
Glow wire test	850°C
Driver failure rate (at 5,000 hrs)	1 %
Power factor	0.5
Surge protection	2.5 kV

## Electrical Supply

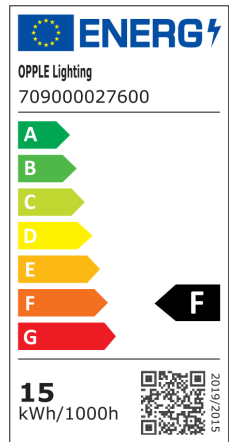
Frequency	50/60 Hz
Nominal voltage	220-240 V AC
DC input voltage	No

## Mechanical Properties

Material housing	Aluminium
Optical material	Polycarbonate

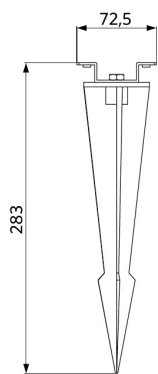
## Ambient Conditions

Operating temperature	-30-+50°C
Application temperature	+25°C
Storage environment	-30-+60°C

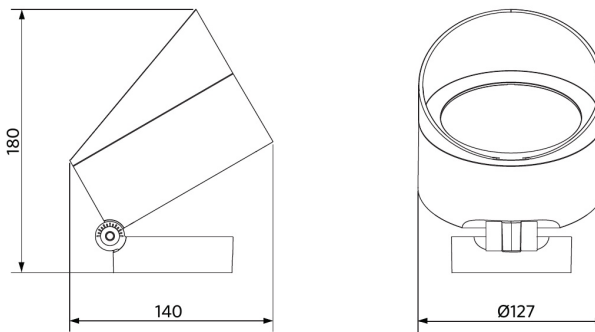


## Dimensional Drawing (mm)

LEDSpotProjector-E Spike



LEDSpotProjector-E Rd127



## Photometric Data

