

- Electrostatic powder coating aluminum injection body
- Fixture dimensions are same as AR111 halogen spotlight
- Suitable for recessed mounting

P W Product & Power Options

Product Name	Light Color	Input Voltage (V)	Power (W)	Luminous Flux (lm)	Cutting Dimensions (AxB)(mm)	Weight (kg)
QR111A-E1	WW-NW-CW	220-240V AC	12	1.270	170x170	0,9
QR111A-E1	WW-NW-CW	220-240V AC	18	1.830	170x170	0,9
QR111A-E2	WW-NW-CW	220-240V AC	20	2.120	170x320	1,6
QR111A-E2	WW-NW-CW	220-240V AC	30	3.060	170x320	1,6
QR111A-E3	WW-NW-CW	220-240V AC	40	3.060	170x485	2,5
QR111A-E3	WW-NW-CW	220-240V AC	45	4.770	170x485	2,5
QR111A-E4	WW-NW-CW	220-240V AC	60	6.120	320x320	3,5

*Power and Lumen values provided are based off of a cold white (CW) LED.
 **Weight value provided is based off of a single product.

C Light Color Options

● WW: Warm White	3000K
● NW: Natural White	4000K
● CW: Cold White	6500K

*Different colors are optional

O Lens Options



XN: Extra Narrow angle
 M: Medium angle
 W: Wide angle

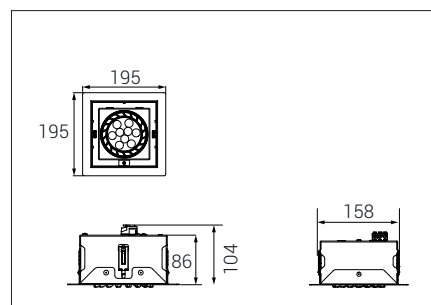
G Housing Color Options



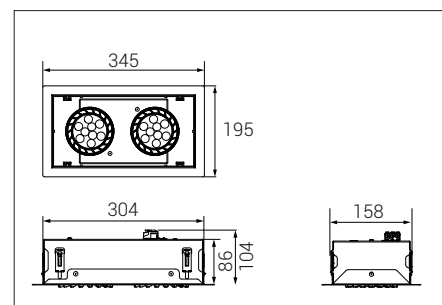
RAL9005 RAL9007 RAL9016

The inner surface of the product is painted black as standard.

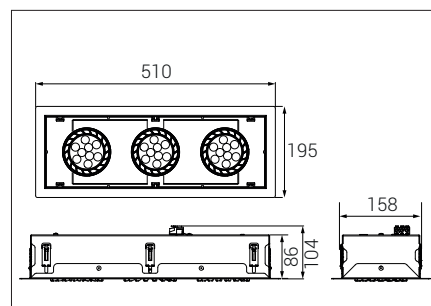
E Additional Piece Options



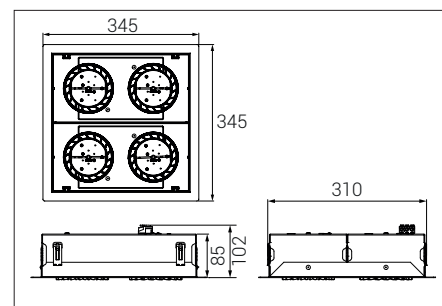
1: Single



2: Dual



3: Triple

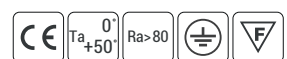


4: Quartet



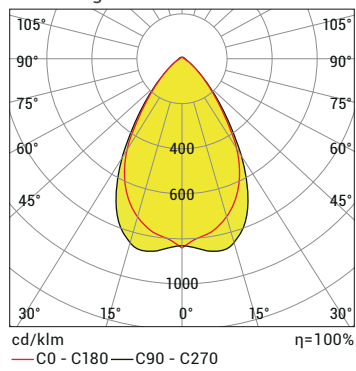
Order Code

P . W . C . O . G . E



Product Diagrams

Polar Diagram



Conical Diagram

H (mt)	Ø (m)	E _{max} (lx)
0.5	0,63	5597
1.0	1,27	1399
1.5	1,90	622
2.0	2,54	350
2.5	3,17	224
3.0	3,81	155

QR111A NW 18W 220V AC IP20

Control System Options

Color Type	PWM	INV PWM	DMX	DALI	0-10V DC	TRIAC
WW-NW-CW				•	•	•
R,G,B,A						
RGB						
RGBA/W						
RGB DMX						
WHITE DMX						

