

INSTALLATION MANUAL

10107WP

ecolight



DARK LIGHT



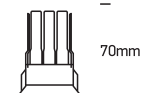
67mm

700mA | COB LED | 7W | IP65 | Die cast

Requires 700mA driver.

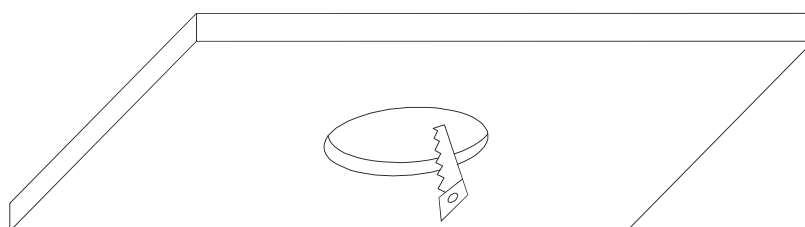


90 CRI



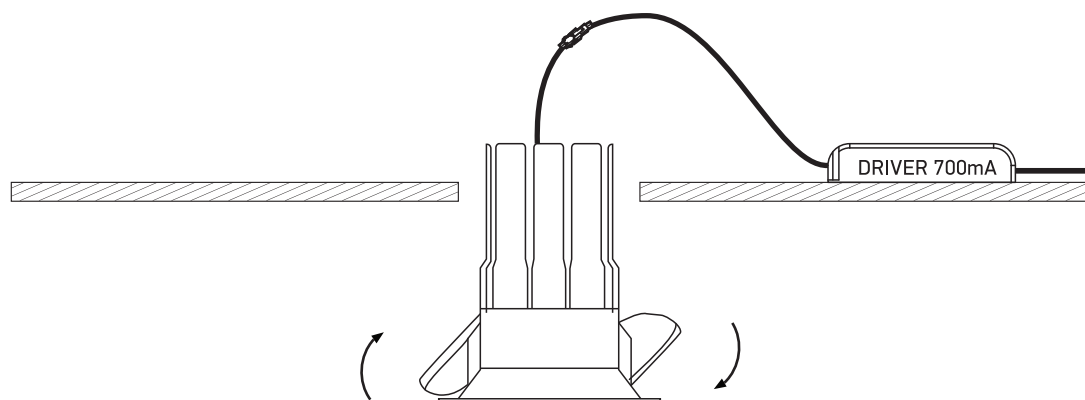
one
LIGHT

A

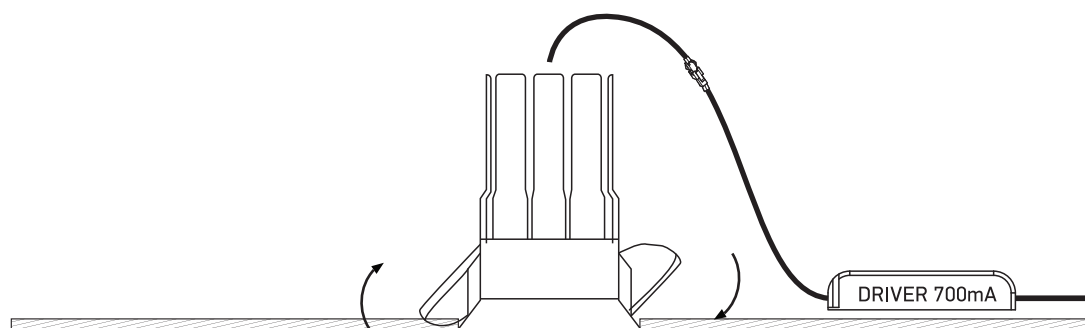


CUTOUT HOLE: 56mm

B



C



Warnings:

1. Make sure that the product is installed properly before connecting to electricity.
2. Do not cover the fitting.
3. Maintenance and installation should only be carried out by a professional electrician.