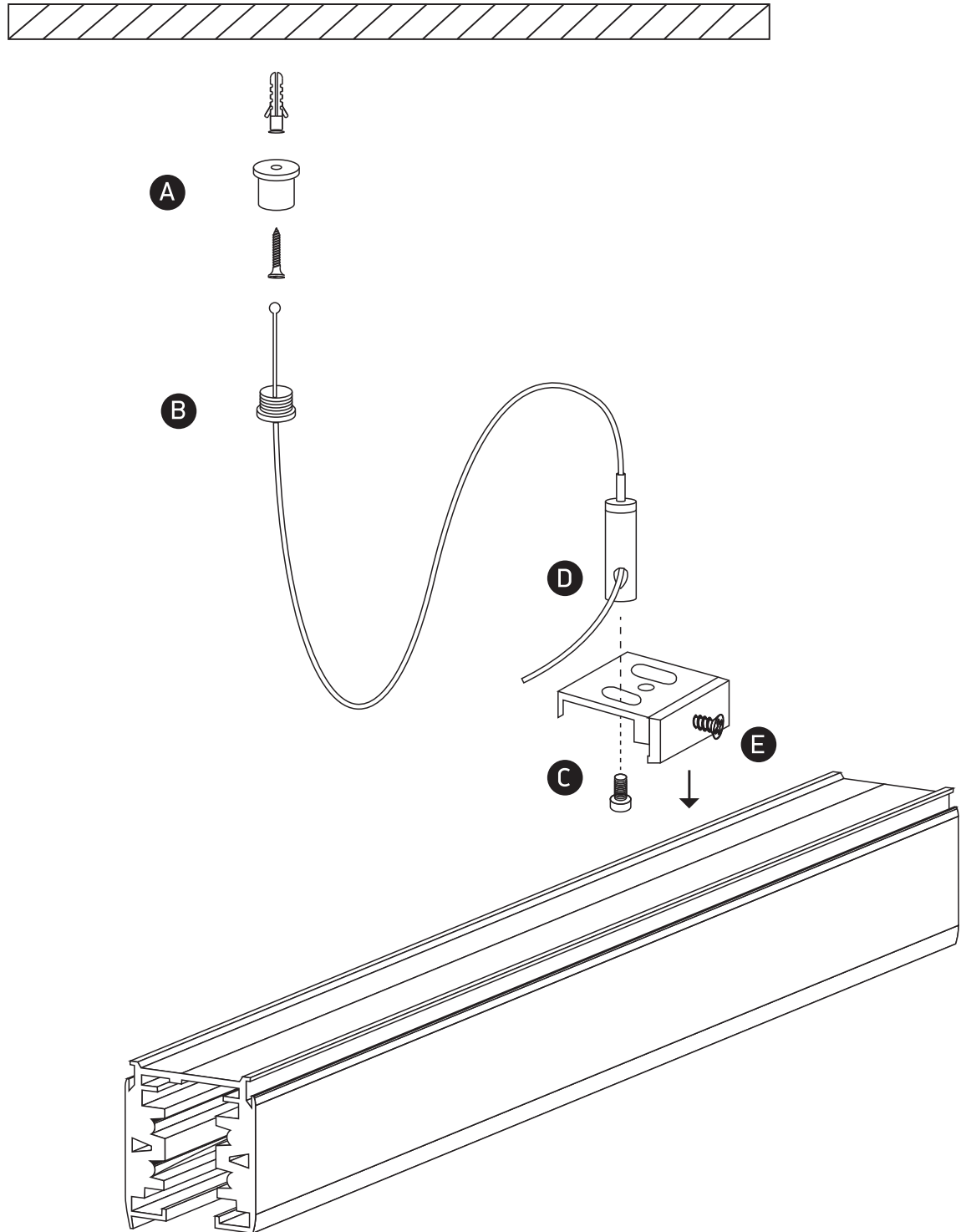


# INSTALLATION MANUAL

41026R

Suspension kit with 2m wire for 40003A

one  
LIGHT



- A** Fix the female steel cord coupler on the ceiling.
- B** Insert the steel cord into male coupler and screw the coupler.
- C** Fix the cable gripper on the suspension clamp.
- D** Insert the steel cord into the cable gripper and secure steel cord.
- E** Use the screw to secure the suspension clamp to the track unit.