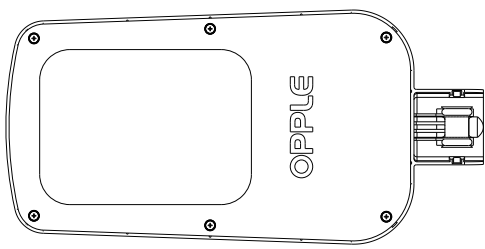
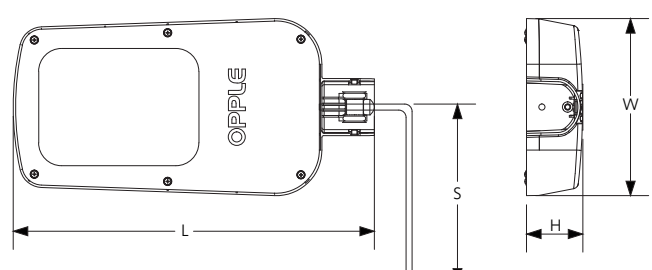


LED Roadlight

OPPLE

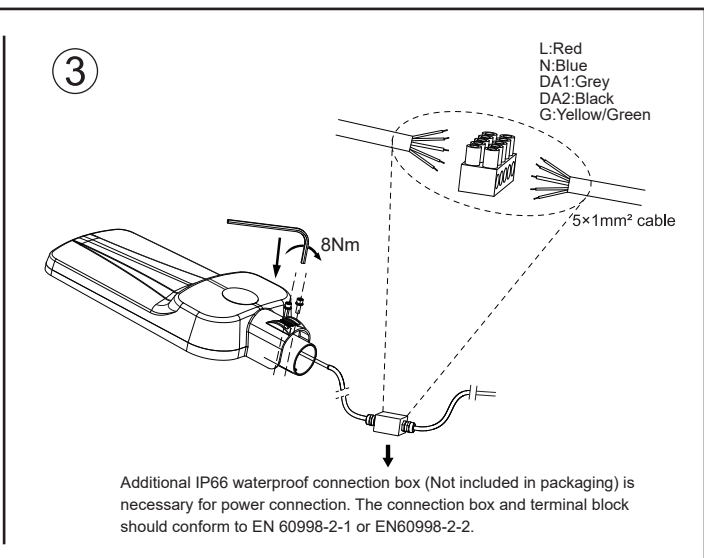
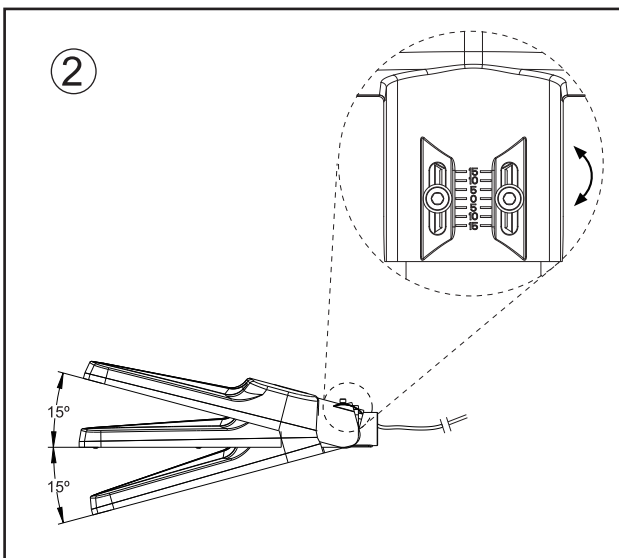
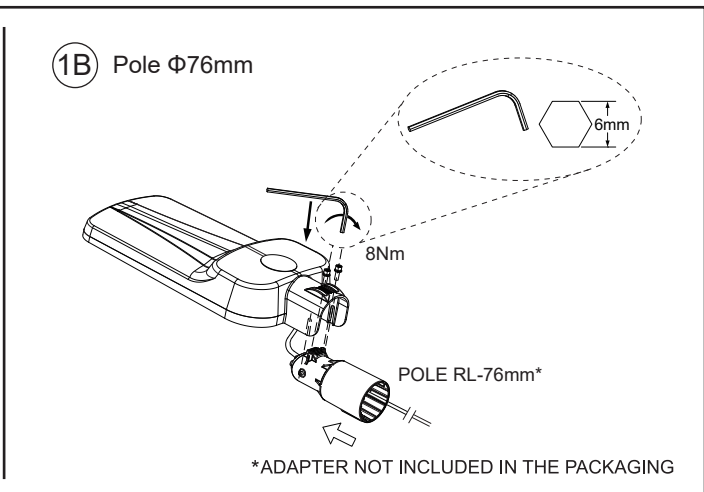
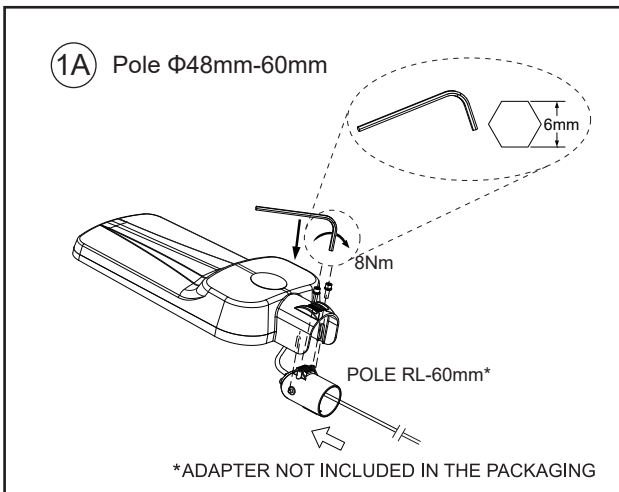
Version date 01-08-2018
www.opple.com

Item Code	CCT	kg
LED RL-90W DALI	4000K	9.0kg
LED RL-120W DALI	4000K	9.2kg
LED RL-150W DALI	4000K	9.2kg
LED RL-200W DALI	4000K	9.4kg

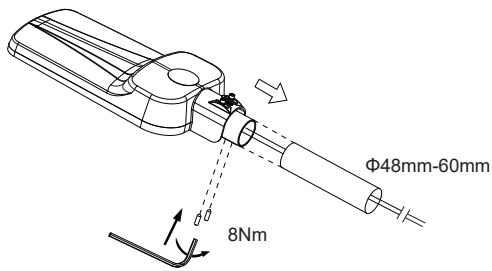
Model	L (mm)	W (mm)	H (mm)	S (mm)
LED RL-90W DALI	631	310	98	10000
LED RL-120W DALI	631	310	98	10000
LED RL-150W DALI	631	310	98	10000
LED RL-200W DALI	631	310	98	10000

Effective Wind Area: 16000 mm²



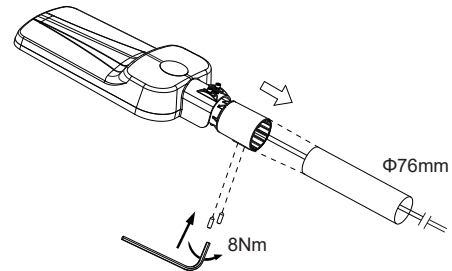
250052412000

4A Horizontal Pole $\Phi 48\text{mm}-60\text{mm}$



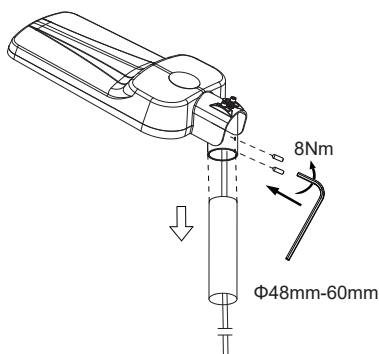
POLE RL-60mm ADAPTER NOT INCLUDED IN THE PACKAGING

4B Horizontal Pole $\Phi 76\text{mm}$



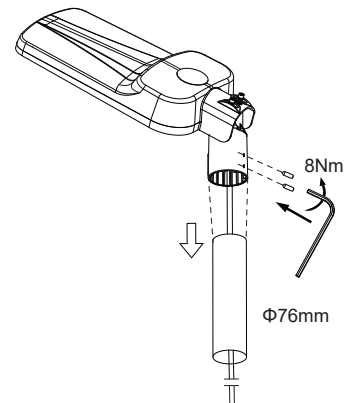
POLE RL-76mm ADAPTER NOT INCLUDED IN THE PACKAGING

4C Vertical Pole $\Phi 48\text{mm}-60\text{mm}$



POLE RL-60mm ADAPTER NOT INCLUDED IN THE PACKAGING

4D Vertical Pole $\Phi 76\text{mm}$



POLE RL-76mm ADAPTER NOT INCLUDED IN THE PACKAGING

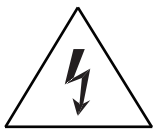


In case of damage to the wire, it has to be replaced only by the manufacturer, distributor or by an expert, to avoid risks.

Caution: Any operation on LED module is forbidden while power-on.

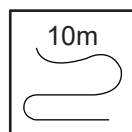
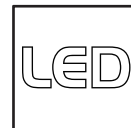
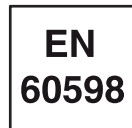
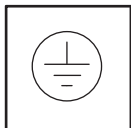
Zur Vermeidung von Risiken müssen defekte Leitungen ausschließlich vom Hersteller, Inverkehrbringer oder Fachmann ausgetauscht werden.

Achtung: In Betrieb ist keine Arbeit am LED-Modul erlaubt.



For non-user replaceable light sources.

The light source contained in this luminaire shall only be replaced by the manufacturer or his service agent or a similar qualified person.



Data subject to change
Les données sont sujettes à modifications
Änderungen vorbehalten

Suzhou Oppl Lighting Co., Ltd.
215200
East Side, Fenyang Road,
Fenu Economic Development Zone,
Wujiang City, Jiangsu Province,
P.R.China

OPPLE Lighting B.V.
Materiaalweg 6-6A
5681 RJ Best
The Netherlands
service@opple.com
www.opple.com