



Roadlight

- Modern-looking Roadlight solution with robust die-cast aluminium body
- Up to 60% energy saving compared to HID roadlights
- Advanced optical design optimized for road lighting
- Flexible and adjustable pole connector for both side entry and pole top mounting
- IP66 and suitable for use on the coastal applications
- Including 10m H07RN-F rubber cable 5x1,5mm² pre-assembled for faster installation
- Double pole-top adapter available as accessory



Separate Roadlight Pole Adapter (543098007000 or 599006051700) is necessary to be ordered with Roadlight to install the product, also when combined with other accessories.

Specifications

Item Code	Item Description	Equivalent to (W)	Power (W)	Lumen	Efficacy (lm/W)	CCT (K)	Weight (kg/pc)
STEP-Dim							
543014015700	LEDRoadlight-90W-4000-STEP	HID 150W	90	11250	125	4000	9.00

For more technical information, please go to the appendix.

Accessories



543098007000
Pole Adapter-Roadlight-60mm



599006051700
Pole Adapter-Roadlight-76mm



705098003600
LEDStreetlight Wall-Bracket-60



705098003700
LEDStreetlight Pole-Top-60-Adapter-60



705098003400
LEDStreetlight Pole-Top-76-Adapter-60



705098005500
LEDStreetlight Pole-Top-60-Adapter-2x60



543098022000
LEDFixture-IP68-Connector-Kit-5

Packaging Information

Item			Box			
Item Code	Item Description	Commodity Code	Dimensions (mm) (LxWxH)	Gross Weight (kg)	EAN	pc/box
543014015700	LEDRoadlight-90W-4000-STEP	94054239	631x310x98	9.40	6941497701848	1
543098007000	Pole Adapter-Roadlight-60mm	94059900	111x106x137	0.40	6956321811129	1
543098022000	LEDFixture-IP68-Connector-Kit-5	73121049	265x245x205	3.16	6941497708984	1
599006051700	Pole Adapter-Roadlight-76mm	94059900	119x199x237	1.06	6956321897468	1
705098003400	LEDStreetlight Pole-Top-76-Adapter-60	94059900	223x116x314	1.62	6941497755100	1
705098003600	LEDStreetlight Wall-Bracket-60	94059900	201x78x239	1.05	6941497755124	1
705098003700	LEDStreetlight Pole-Top-60-Adapter-60	94059900	215x97x301	1.45	6941497755117	1
705098005500	LEDStreetlight Pole-Top-60-Adapter-2x60	94059900	505x97x230	2.31	6941491705491	1

Technical Specifications

Lifetime (L70)	100,000 h
Lifetime (L80)	70,000 h
On-/Off-cycles	100,000
Colour consistency (SDCM)	6
Dimmability	STEP
Beam angle	150° x 70°
Maximum tilt angle	15°
Finishing	Grey
Colour rendering index CRI	≥ 80
Degree of protection (IP)	IP66
Impact strength	IK08
Protection class	I
Risk group (EN 62471)	RG1
With control gear	Yes
Glow wire test	850°C
Driver failure rate (at 5,000 hrs)	0.5 %
Power factor	≥ 0.9
Surge protection	10 kV

Electrical Supply

Frequency	50/60 Hz
Nominal voltage	220-240 V AC
DC input voltage	See catalogue appendix Connection Specifications
230V Cable length	10 m

Mechanical Properties

Housing material	Aluminium
Optical material	Polycarbonate
Compatible pole Ø	48-76 mm
Effective wind area	1478 cm ²
Coastal proof	Yes

Ambient Conditions

Operating temperature	-30-+50°C
Application temperature	+25°C
Storage environment	-30-+65°C

5 YEARS WARRANTY



ENERGY

OPPLE Lighting
543014015700

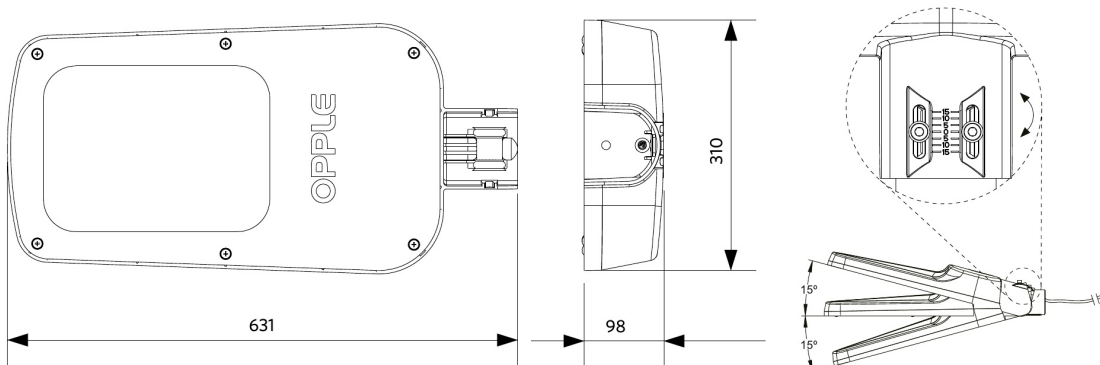
A
B
C
D
E
F
G

90
kWh/1000h

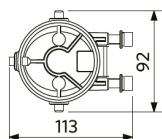
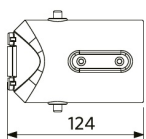
2019/2015

Dimensional Drawing (mm)

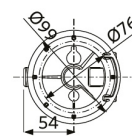
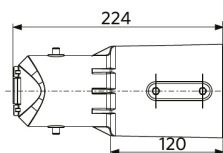
LEDRoadlight



Pole Adapter-Roadlight-60mm



Pole Adapter-Roadlight-76mm



Photometric Data

