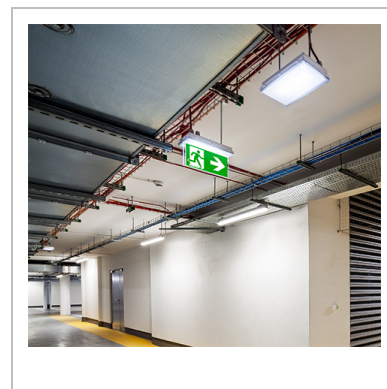
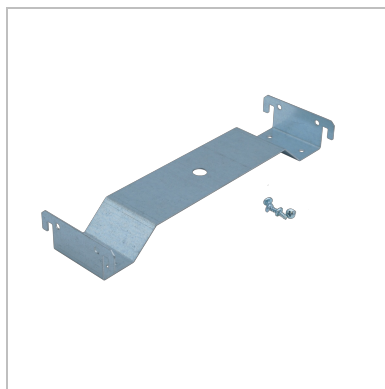


# MOUNTING KIT SUSPENSION OS

CATALOG CODE  
TM-AKC.OS03

DEDICATED TO FITTINGS:  
ONTEC S C1, C2, ONTEC S F1, F2, ONTEC S M1, M2, M5, ONTEC S W1, W2

- The luminaire can be hung on ropes or a mounting pin.



APPLICATION

## TECHNICAL PARAMETERS

Material	metal
dimension	221 x 50 x 26 mm

