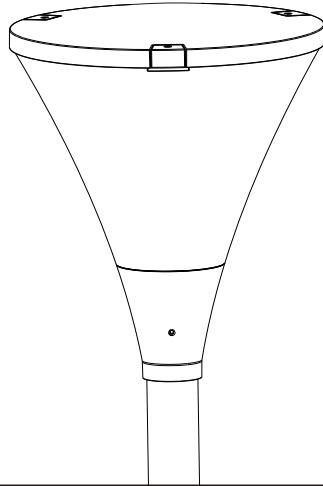
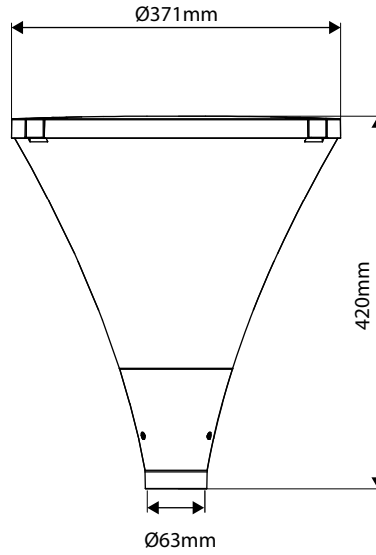


Instruction Manual

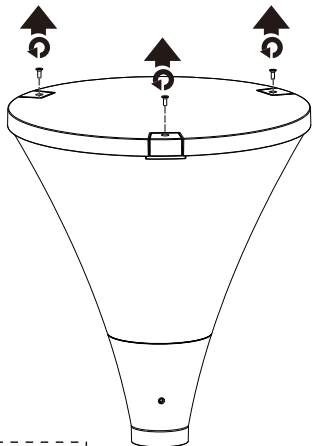


Physical Dimensions

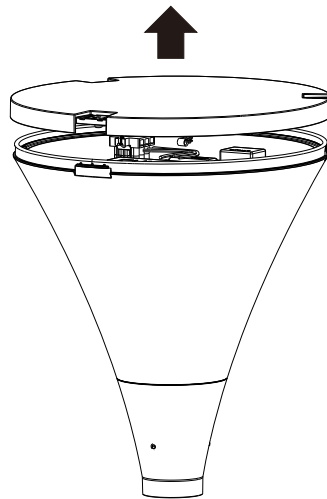


3 CCT+4 Power selectable

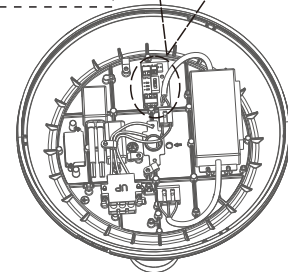
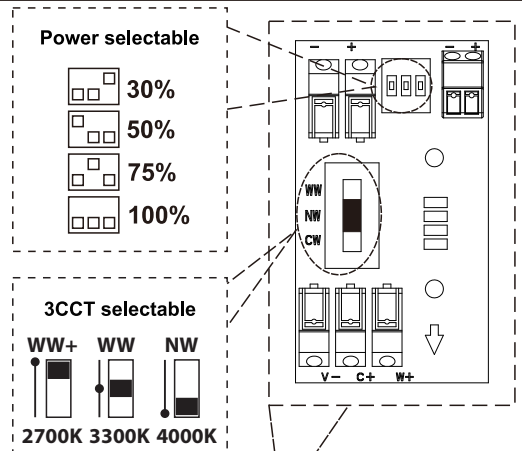
1.



2.



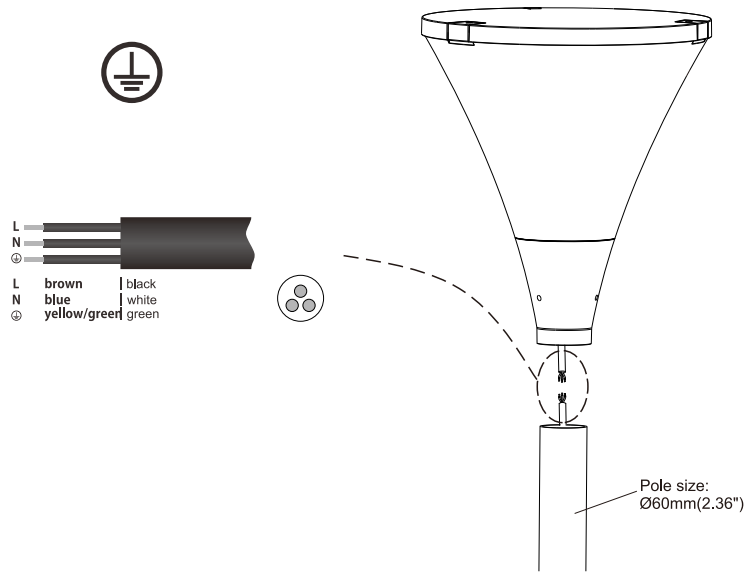
3.



Instruction Manual

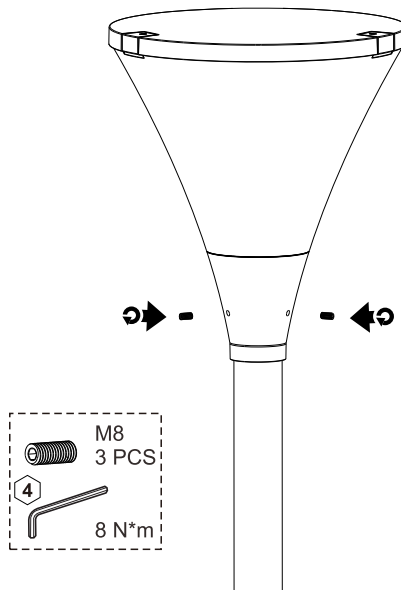
Installation

1.



* Please make sure the luminaire is properly grounded.

2.



Product Specifications	40W
Luminescent mode	Indirect Lighting
Input Voltage	100-240 VAC
Power Frequency	50 / 60Hz
Outlook Dimensions	Ø371x420mm(Ø14.6"x16.53")
Luminaire Net Weight	4.6±0.3kg(10.14±0.66Lbs)
Projected Area	0.09m ² (0.98ft ²)
Working Temperature	-30°C to +50°C(-22°F to +122°F)
Storing Temperature	-40°C to +70°C(-40°F to +158°F)

- The light source contained in this luminaire shall only be replaced by the manufacturer or his service agent or a similar qualified person.
- For type Y attachments:
if the external flexible cable or cord of this luminaire is damaged, it shall be exclusively replaced by the manufacturer or his service agent or a similar qualified person in order to avoid a hazard.