



MINI BATTEN

Typology

Luminaire with dimensions quite similar to a T8 tube with the advantage of direct mains connection and IP65 protection.

Features

Ease of use in various applications, even in wet and dusty environments thanks to IP65: easily removable and repositionable.

Great energy saving.

Immediate switch on, no flickering or buzzes.

Installation

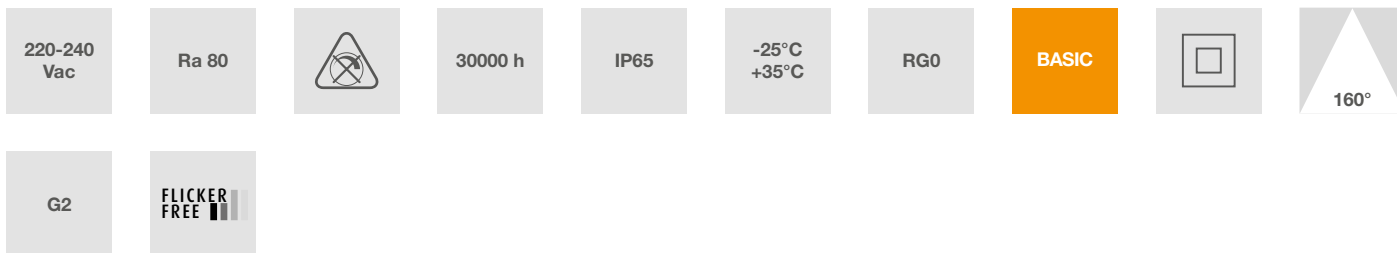
It attaches to the clips with which the product is supplied.

Material

Flame retardant PC.

Applications

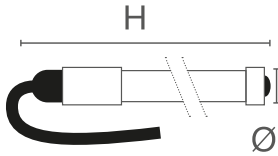
Workshops, production areas, garages, service corridors, commercial installations.



Characteristic data

Power	20 W	Beam	160°	Dimmable	No	Input	220-240 Vac
IP	65	Flux	2200 lm	Tc	4000 K	Ra	80
LED Warranty	G2	RG	RG0				

Dimensional characteristics



L	1200 mm
Ø	29 mm

Lighting and photometric features

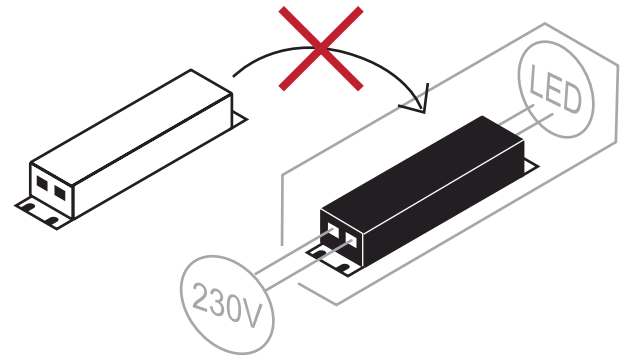
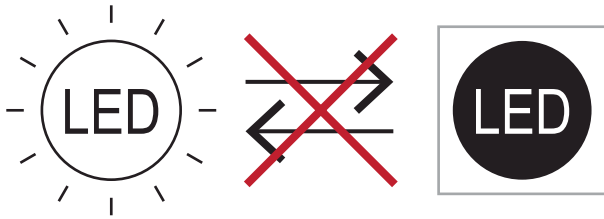
Beam opening	160°
Flux	2200 lm
CCT nominal colour temperature	4000 K
Colour of the light	Natural light
Colour rendering index	80
Lifespan	30000 h
LED lifespan	L70B50

Electrical characteristics

Rated power	20 W
Input voltage	220-240 Vac
Frequency	50-60 Hz
Dimmable	No
Weighted energy consumption	20 kWh/1000h
Energy efficiency class	This product contains a light source of energy efficiency class "E"
Operating temperature	-25°C / +35°C

Other Infotech

Flicker Free	Yes
Light source replaceability	Non-replaceable light source.
Control gear replaceability	Non-replaceable control gear.



LED Warranty

G2	Up to 2 years (4000h/year) *4000h = 11h a day x 365 days. Without limitations on the duration of use for the first year, provided the observance of the installation conditions.
----	--

European Directives

2009/125/EC * Ecodesign
2011/65/EU * RoHS
2012/19/EU * RAEE
2014/30/EU * EMC
2014/35/EU * LVD
2015/863 * Amending RoHS
2017/1369 * Regulation for Energy Labelling
2019/2015 * Regulation for Energy Labelling
2019/2020 * Regulation for Ecodesign
2021/340 * Amending Reg. Energy Labelling
2021/341 * Amending Reg. Ecodesign

Product standards

CEI EN 55015:2020 (+A11:2020)
CEI EN 60598-1:2022
CEI EN 60598-2-2:2012
CEI EN 61000-3-2:2019 (+A1:2021)
CEI EN 61000-3-3:2014 (+EC1:2014/+EC2:2016/+A1:2021/+A2:2022)
CEI EN 61547:2010
CEI EN 62031:2021 (+A11:2022)
CEI EN 62471:2010
IEC/TR 62471-2:2009
CEI EN 62493:2015
CEI 34-141:2014

Logistics data

Barcode single item	8011905016524
Number of pieces multiple pack	10
Minimum order quantity	1