



## MINI BATTEN

### Typology

Luminaire with dimensions quite similar to a T8 tube with the advantage of direct mains connection and IP65 protection.

### Features

Ease of use in various applications, even in wet and dusty environments thanks to IP65: easily removable and repositionable.

Great energy saving.

Immediate switch on, no flickering or buzzes.

### Installation

It attaches to the clips with which the product is supplied.

### Material

Flame retardant PC.

### Applications

Workshops, production areas, garages, service corridors, commercial installations.

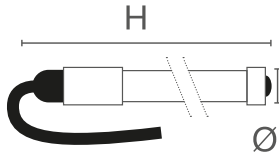


220-240 Vac	Ra 80		30000 h	IP65	-25°C +35°C	RG0	<b>BASIC</b>		160°
G2									

### Characteristic data

Power	20 W	Beam	160°	Dimmable	No	Input	220-240 Vac
IP	65	Flux	2250 lm	Tc	6400 K	Ra	80
LED Warranty	G2	RG	RG0				

## Dimensional characteristics



L	1200 mm
Ø	29 mm

## Lighting and photometric features

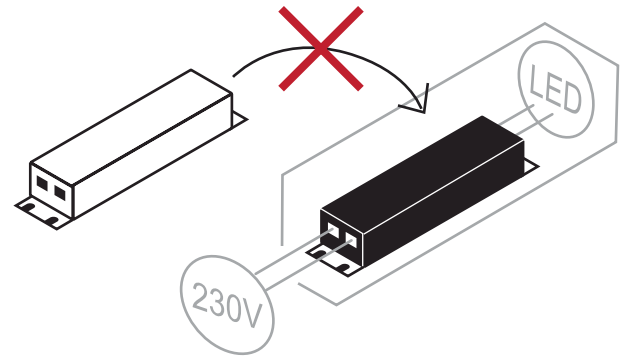
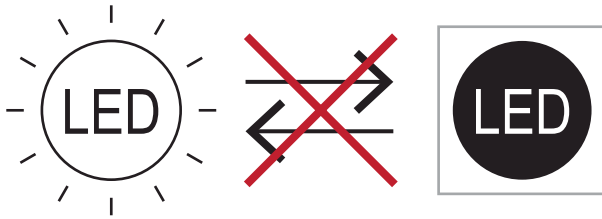
Beam opening	160°
Flux	2250 lm
CCT nominal colour temperature	6400 K
Colour of the light	Cool light
Colour rendering index	80
Lifespan	30000 h
LED lifespan	L70B50

## Electrical characteristics

Rated power	20 W
Input voltage	220-240 Vac
Frequency	50-60 Hz
Dimmable	No
Weighted energy consumption	20 kWh/1000h
Energy efficiency class	This product contains a light source of energy efficiency class "E"
Operating temperature	-25°C / +35°C

## Other Infotech

Flicker Free	Yes
Light source replaceability	Non-replaceable light source.
Control gear replaceability	Non-replaceable control gear.



### LED Warranty

G2	Up to 2 years (4000h/year) *4000h = 11h a day x 365 days. Without limitations on the duration of use for the first year, provided the observance of the installation conditions.
----	--

### European Directives

2009/125/EC \* Ecodesign  
2011/65/EU \* RoHS  
2012/19/EU \* RAEE  
2014/30/EU \* EMC  
2014/35/EU \* LVD  
2015/863 \* Amending RoHS  
2017/1369 \* Regulation for Energy Labelling  
2019/2015 \* Regulation for Energy Labelling  
2019/2020 \* Regulation for Ecodesign  
2021/340 \* Amending Reg. Energy Labelling  
2021/341 \* Amending Reg. Ecodesign

### Product standards

CEI EN 55015:2020 (+A11:2020)  
CEI EN 60598-1:2022  
CEI EN 60598-2-2:2012  
CEI EN 61000-3-2:2019 (+A1:2021)  
CEI EN 61000-3-3:2014 (+EC1:2014/+EC2:2016/+A1:2021/+A2:2022)  
CEI EN 61547:2010  
CEI EN 62031:2021 (+A11:2022)  
CEI EN 62471:2010  
IEC/TR 62471-2:2009  
CEI EN 62493:2015  
CEI 34-141:2014

### Logistics data

Barcode single item	8011905016531
Number of pieces multiple pack	10
Minimum order quantity	1