



RTF CCT IP65

Typology

High-efficiency SMD LED sources integrated in an IP65 recessed luminaire, Ra>90, 50000 hours, with selectable light colour. The lumen and power data indicated refers to the 4000K colour temperature.

Features

Family declined in 3 powers and sizes. Dip-switch for colour temperature selection located on the luminaire body. Soft satin effect polycarbonate anti-glare diffuser. Flicker Free.

Installation

Complete with springs for easy fastening into false ceilings.

Material

Die-cast aluminium body.

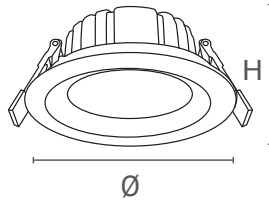


220-240 Vac	Ra 90		50000 h	IP65 VI IP43 VO	-25°C +35°C	RG1	PRO		
G5h24	FLICKER FREE								

Characteristic data

Power	7 W	Beam	100°	Dimmable	No	Input	220-240 Vac
IP	65	Optical compartment IP	43	Flux	700 lm	PF	0.5
Tc	3000-4000-6000 K	Ra	90	LED Warranty	G5h24	Axis	310 cd
RG	RG1						

Dimensional characteristics



Ø	100 mm
H	38 mm

Cutting hole	85
--------------	----

Lighting and photometric features

Beam opening	100°
Flux	700 lm
CCT nominal colour temperature	3000-4000-6000 K
Colour of the light	CCT
Colour rendering index	90
Lifespan	50000 h
LED lifespan	L70B20

Electrical characteristics

Rated power	7 W
Input voltage	220-240 Vac
Frequency	50-60 Hz
Dimmable	No
Power factor (PF)	0.5
Input current	0.061 A
Weighted energy consumption	7 kWh/1000h
Energy efficiency class	This product contains a light source of energy efficiency class "D"
Operating temperature	-25°C / +35°C

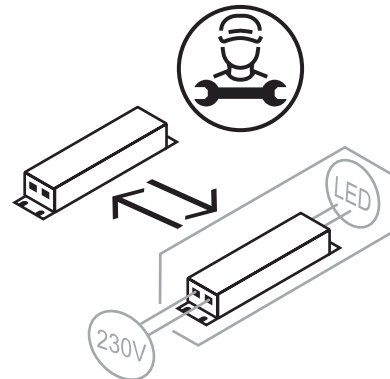
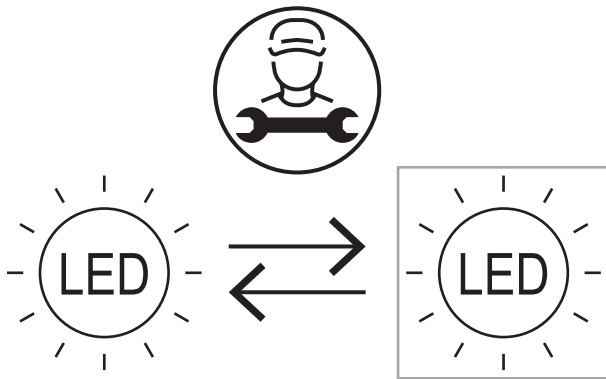
Photometry

	4000K	H(m)	D(m)	Emax(lx)	
	Ra90		84°		
Fixture Power	7W	1	1.79	351	
Source Flux	700lm	2	3.59	88	
Fixture Flux	700lm	3	5.38	39	
Efficacy	100lm/W	4	7.17	22	
017767 I _{max} =502cd/klm	I _{max}	352cd	5	8.96	14

EulumDat file on the site

Other Infotech

Flicker Free	Yes
Light source replaceability	Replaceable (LED only) light source by a professional.
Control gear replaceability	Replaceable control gear by a professional.



LED Warranty

G5h24	Full Guarantee 5 years (24h/24h) Without limitations on the duration of use for the first year, provided the observance of the installation conditions.
-------	---

European Directives

2009/125/EC * Ecodesign
 2011/65/EU * RoHS
 2012/19/EU * RAEE
 2014/30/EU * EMC
 2014/35/EU * LVD
 2015/863 * Amending RoHS
 2017/1369 * Regulation for Energy Labelling
 2019/2015 * Regulation for Energy Labelling
 2019/2020 * Regulation for Ecodesign
 2021/340 * Amending Reg. Energy Labelling
 2021/341 * Amending Reg. Ecodesign

Product standards

CEI EN 55015:2020 (+A11:2020)
 CEI EN 60598-1:2022
 CEI EN 60598-2-2:2012
 CEI EN 61000-3-2:2019 (+A1:2021)
 CEI EN 61000-3-3:2014 (+EC1:2014/+EC2:2016/+A1:2021/+A2:2022)
 CEI EN 61547:2010
 CEI EN 62031:2021 (+A11:2022)
 CEI EN 62471:2010
 IEC/TR 62471-2:2009
 CEI EN 62493:2015
 CEI 34-141:2014

Logistics data

Barcode single item	8011905017767
Number of pieces multiple pack	20
Minimum order quantity	1