



## REFL CCT

### Typology

High-efficiency COB LED sources integrated in an IP65 recessed luminaire, Ra>90, 50000 hours, with selectable light colour.  
Remote driver included.  
The lumen and power data indicated refers to the 4000K colour temperature.

### Features

Family declined in 4 power ratings and 3 standard sizes.  
Dip-switch for colour temperature selection located on the luminaire body.  
Protective diffuser screen.  
Flicker Free.

### Installation

Complete with springs for easy fastening into false ceilings.

### Material

Die-cast aluminium body.

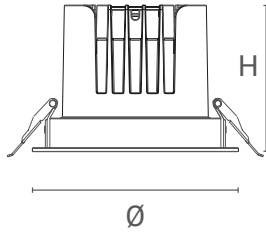


220-240 Vac	Ra 90		50000 h	IP65	-25°C +35°C	RG1	UGR <19	PRO	
	G5h24								

### Characteristic data

Power	50 W	Beam	55°	Dimmable	No	Input	220-240 Vac
IP	65	Flux	4600 lm	PF	0.5	UGR	<19
Tc	3000-4000-6000 K	Ra	90	LED Warranty	G5h24	Axis	4906 cd
RG	RG1						

## Dimensional characteristics



Ø	100 mm
H	70 mm

Cutting hole	90
--------------	----

## Lighting and photometric features

Beam opening	55°
Flux	4600 lm
CCT nominal colour temperature	3000-4000-6000 K
Colour of the light	CCT
Colour rendering index	90
Lifespan	50000 h
LED lifespan	L70B20
UGR	<19

## Electrical characteristics

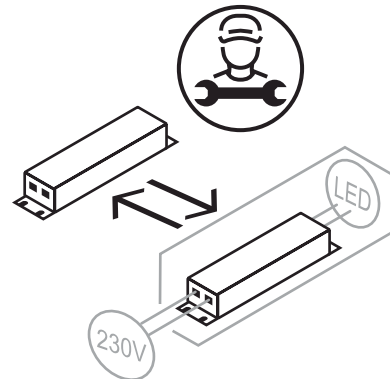
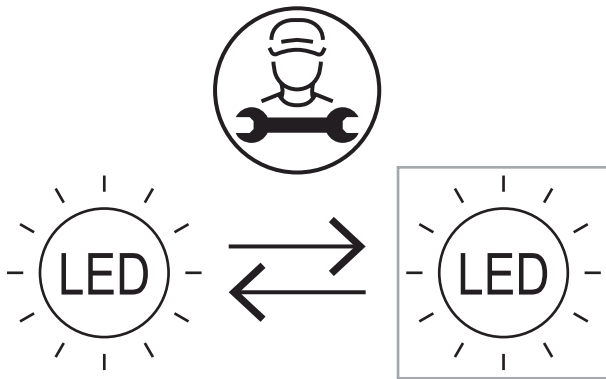
Rated power	50 W
Input voltage	220-240 Vac
Frequency	50-60 Hz
Dimmable	No
Power factor (PF)	0.5
Input current	0.242 A
Weighted energy consumption	12 kWh/1000h
Energy efficiency class	This product contains a light source of energy efficiency class "E"
Operating temperature	-25°C / +35°C

## Photometry

EuLumDat file on the site

## Other Infotech

Flicker Free	Yes
Light source replaceability	Replaceable (LED only) light source by a professional.
Control gear replaceability	Replaceable control gear by a professional.



### LED Warranty

G5h24	Full Guarantee 5 years (24h/24h) Without limitations on the duration of use for the first year, provided the observance of the installation conditions.
-------	---

### European Directives

2009/125/EC \* Ecodesign  
 2011/65/EU \* RoHS  
 2012/19/EU \* RAEE  
 2014/30/EU \* EMC  
 2014/35/EU \* LVD  
 2015/863 \* Amending RoHS  
 2017/1369 \* Regulation for Energy Labelling  
 2019/2015 \* Regulation for Energy Labelling  
 2019/2020 \* Regulation for Ecodesign  
 2021/340 \* Amending Reg. Energy Labelling  
 2021/341 \* Amending Reg. Ecodesign

### Product standards

CEI EN 55015:2020 (+A11:2020)  
 CEI EN 60598-1:2022  
 CEI EN 60598-2-2:2012  
 CEI EN 61000-3-2:2019 (+A1:2021)  
 CEI EN 61000-3-3:2014 (+EC1:2014/+EC2:2016/+A1:2021/+A2:2022)  
 CEI EN 61547:2010  
 CEI EN 62031:2021 (+A11:2022)  
 CEI EN 62471:2010  
 IEC/TR 62471-2:2009  
 CEI EN 62493:2015  
 CEI 34-141:2014

### Logistics data

Barcode single item	8011905017453
Number of pieces multiple pack	30
Minimum order quantity	1