



PANTH H1 - SENSOR

Typology

Super-compact professional projectors for large commercial and industrial spaces; uses highly efficient SMD technology, up to 175lm/W.

Features

Ultra-flat, highly efficient, long service life: reliable products for use in all areas where powerful light output with significant energy savings is required. Equipped with voltage surge protection, see details.

Installation

Free-standing or fixed to the surface with its swivelling bracket. Cable length: 30 cm

Material

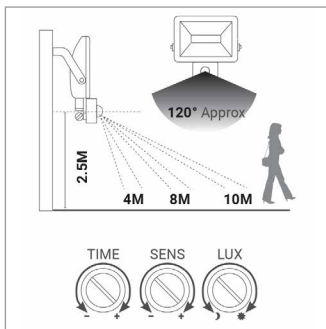
Die-cast aluminium body. Suitable for use in dusty and humid environments due to its high IP rating.

Usage information

Fixtures suitable for installation and use in residential, commercial and light industrial environments, in systems with "Category I" of impulse withstand in compliance with CEI EN 64-8 / 4 (IEC 60364-4-44).

Beam

Symmetrical beam angle: 110°.

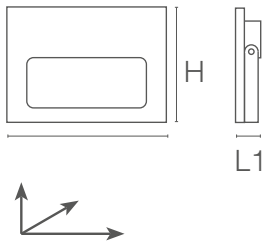


220-240 Vac	Ra 80		50000 h	IP65	IK04	Free terminals	-25°C +35°C	RG1	PRO
		G5h24							

Characteristic data

Power	15 W	Beam	110°	Dimmable	No	Input	220-240 Vac
Base	Free terminals	IP	65	Flux	2600 lm	PF	0.55
Tc	4000 K	Ra	80	LED Warranty	G5h24	Axis	980 cd
IK	IK04	RG	RG1	Color	Black		

Dimensional characteristics



L	115 mm
L1	82 mm
H	27 mm

Lighting and photometric features

Beam opening	110°
Flux	2600 lm
CCT nominal colour temperature	4000 K
Colour of the light	Natural light
Colour rendering index	80
Lifespan	50000 h
LED lifespan	L70B20

Electrical characteristics

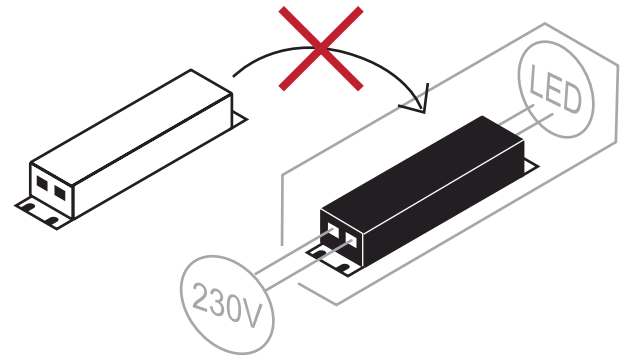
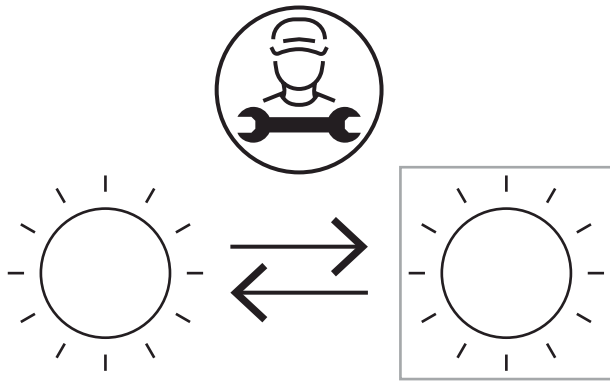
Rated power	15 W
Input voltage	220-240 Vac
Frequency	50-60 Hz
Dimmable	No
Power factor (PF)	0.55
Input current	0.12 A
Weighted energy consumption	15 kWh/1000h
Energy efficiency class	This product contains a light source of energy efficiency class "A"
Operating temperature	-25°C / +35°C

Photometry

EuLumDat file on the site

Other Infotech

Flicker Free	Yes
Light source replaceability	Replaceable light source by a professional.
Control gear replaceability	Non-replaceable control gear.



LED Warranty

G5h24	Full Guarantee 5 years (24h/24h) Without limitations on the duration of use for the first year, provided the observance of the installation conditions.
-------	---

European Directives

2009/125/EC * Ecodesign
 2011/65/EU * RoHS
 2012/19/EU * RAEE
 2014/30/EU * EMC
 2014/35/EU * LVD
 2015/863 * Amending RoHS
 2017/1369 * Regulation for Energy Labelling
 2019/2015 * Regulation for Energy Labelling
 2019/2020 * Regulation for Ecodesign
 2021/340 * Amending Reg. Energy Labelling
 2021/341 * Amending Reg. Ecodesign

Product standards

CEI EN 55015:2020 (+A11:2020)
 CEI EN 60598-1:2022
 CEI EN 60598-2-5:2016
 CEI EN 61000-3-2:2019 (+A1:2021)
 CEI EN 61000-3-3:2014 (+EC1:2014/+EC2:2016/+A1:2021/+A2:2022)
 CEI EN 61547:2010
 CEI EN 62031:2021 (+A11:2022)
 CEI EN 62471:2010
 IEC/TR 62471-2:2009
 CEI EN 62493:2015
 CEI 34-141:2014

Logistics data

Barcode single item	8011905326265
Number of pieces multiple pack	20
Minimum order quantity	1