



PANTH ST

Typology

LED projector "minimal design" for outdoor and indoor applications.

Features

It can be connected to motion or twilight sensors.

Very small dimensions and design that meets the most demanding aesthetic requirements.

Supplied with an orientable mounting bracket.

Equipped with a GORE-TEX® valve to compensate for pressure variations due to thermal changes and to prevent the formation of condensation in the fixture.

Material

Painted die-cast metal body.

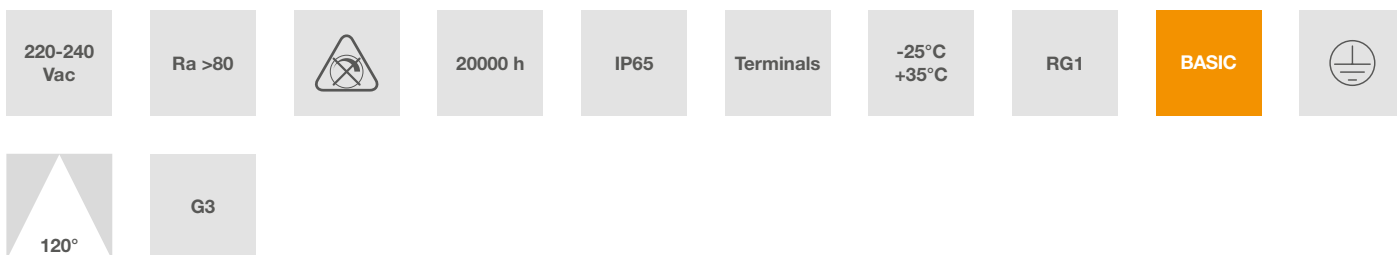
Beam

120°

Notes

Do not use with dimmer.

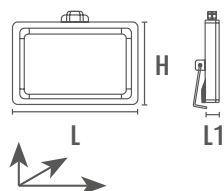
Free wire for professional use (1 m long).



Characteristic data

Power	200 W	Beam	120°	Dimmable	No	Input	220-240 Vac
Base	Terminals	IP	65	Flux	16000 lm	PF	0,90
Tc	4000 K	Ra	>80	LED Warranty	G3	Axis	6800 cd
RG	RG1	Color	White				

Dimensional characteristics



L	388 mm
L1	36 mm
H	288 mm

Lighting and photometric features

Beam opening	120°
Flux	16000 lm
CCT nominal colour temperature	4000 K
Colour of the light	Natural light
Colour rendering index	>80
Lifespan	20000 h
LED lifespan	L70B30
Trigger time	<0,2 s
Heating time up to 60% of full efficiency	Instant Full Light

Electrical characteristics

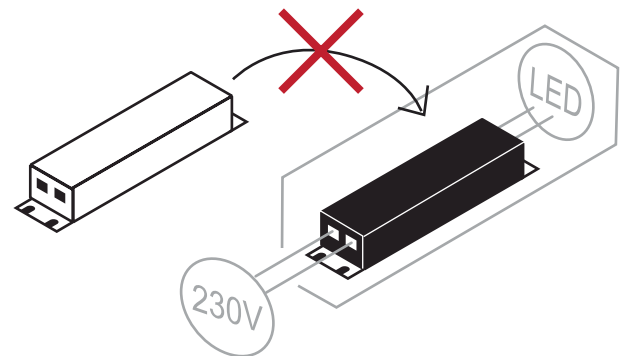
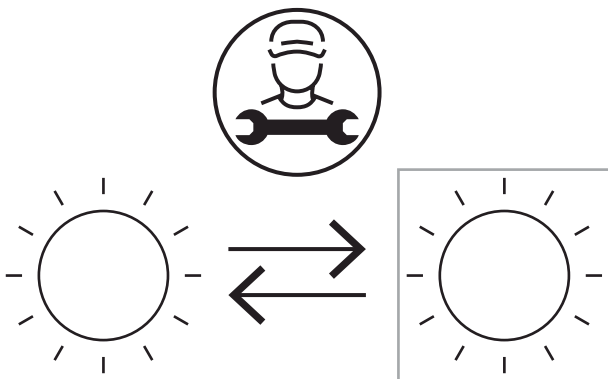
Rated power	200 W
Input voltage	220-240 Vac
Frequency	50-60 Hz
Dimmable	No
Power factor (PF)	0,90
Operating temperature	-25°C / +35°C

Photometry

EuLumDat file on the site

Other Infotech

Light source replaceability	Replaceable light source by a professional.
Control gear replaceability	Non-replaceable control gear.



LED Warranty

G3	Up to 3 years (4000h/year) *4000h = 11h a day x 365 days. Without limitations on the duration of use for the first year, provided the observance of the installation conditions.
----	--

European Directives

2009/125/EC * Ecodesign
 2011/65/EU * RoHS
 2012/19/EU * RAEE
 2014/30/EU * EMC
 2014/35/EU * LVD
 2015/863 * Amending RoHS
 2017/1369 * Regulation for Energy Labelling
 2019/2015 * Regulation for Energy Labelling
 2019/2020 * Regulation for Ecodesign
 2021/340 * Amending Reg. Energy Labelling
 2021/341 * Amending Reg. Ecodesign

Product standards

CEI EN 55015:2020 (+A11:2020)
 CEI EN 60598-1:2022
 CEI EN 60598-2-5:2016
 CEI EN 61000-3-2:2019 (+A1:2021)
 CEI EN 61000-3-3:2014 (+EC1:2014/+EC2:2016/+A1:2021/+A2:2022)
 CEI EN 61547:2010
 CEI EN 62031:2021 (+A11:2022)
 CEI EN 62471:2010
 IEC/TR 62471-2:2009
 CEI EN 62493:2015
 CEI 34-141:2014

Logistics data

Item net weight	2977 gr
Barcode single item	8011905976279
Number of pieces multiple pack	5
Minimum order quantity	1