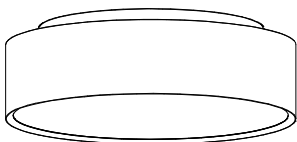


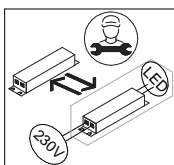
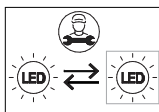
THREESIXTY



1	T	X	X	X	X						
Electronic						E	L	9	0	O	L
DALI Dimmable						D	A	H	B	P	G
						F	E	R	O		
						C	O	S	A		
						G	O	B	O		
						B	K	S	I		



220/240V
50/60Hz



In caso di dubbi sulla simbologia,
riferirsi al catalogo o al sito web.
*If in doubt about the symbols refer
to catalog or website*

This product contains a light source of energy efficiency class < <https://www.targetti.com/en/Site-Search> >
 Questo prodotto contiene una sorgente luminosa di classe di efficienza energetica < <https://www.targetti.com/it/Cerca-nel-sito> >
 Ce produit contient une source lumineuse de classe d'efficacité énergétique < <https://www.targetti.com/fr/Chercher-sur-le-site> >
 Dieses Produkt enthält eine Lichtquelle der Energieeffizienzklasse < <https://www.targetti.com/de/Auf-der-Seite-suchen> >
 Este producto contiene una fuente de luz de clase de eficiencia energética < <https://www.targetti.com/es/Busca-en-el-sitio-web> >

RG1 secondo norma IEC/TR 62778:2014 / RG1 in accordance with IEC/TR 62778:2014

RG1 selon la norme IEC/TR 62778:2014 / RG1 gemäß der norm IEC/TR 62778:2014

RG1 enlight IEC/TR 62778:2014 / RG1 volgens der Norm IEC/TR 62778:2014

RG1 de acordo com norma IEC/TR 62778:2014

21W Sorgente Led / Led source
24W Apparecchio / Fixture

COD. 1T6066 / 1T6067 / 1T6068
COD. 1T6069 / 1T6070 / 1T6071

13W Sorgente Led / Led source
15W Apparecchio / Fixture

COD. 1T6102 / 1T6103 / 1T6104
COD. 1T6105 / 1T6106 / 1T6107

29W Sorgente Led / Led source
33W Apparecchio / Fixture

COD. 1T6072 / 1T6073 / 1T6074 / 1T6075
COD. 1T6076 / 1T6077 / 1T6090 / 1T6091
COD. 1T6092 / 1T6093 / 1T6094 / 1T6095

21W Sorgente Led / Led source
24W Apparecchio / Fixture

COD. 1T6126 / 1T6127 / 1T6128
COD. 1T6129 / 1T6130 / 1T6131

35W Sorgente Led / Led source
39W Apparecchio / Fixture

COD. 1T6078 / 1T6079 / 1T6080
COD. 1T6081 / 1T6082 / 1T6083

37W Sorgente Led / Led source
42W Apparecchio / Fixture

COD. 1T6096 / 1T6097 / 1T6098
COD. 1T6099 / 1T6100 / 1T6101

27W Sorgente Led / Led source
30W Apparecchio / Fixture

COD. 1T6114 / 1T6115 / 1T6116
COD. 1T6117 / 1T6118 / 1T6119

50W Sorgente Led / Led source
57W Apparecchio / Fixture

COD. 1T6138 / 1T6139 / 1T6140
COD. 1T6141 / 1T6142 / 1T6143

43W Sorgente Led / Led source
49W Apparecchio / Fixture

COD. 1T6084 / 1T6085 / 1T6086
COD. 1T6087 / 1T6088 / 1T6089

31W Sorgente Led / Led source
35W Apparecchio / Fixture

COD. 1T6174 / 1T6175 / 1T6176
COD. 1T6177 / 1T6178 / 1T6179

67W Sorgente Led / Led source
76W Apparecchio / Fixture

COD. 1T6162 / 1T6163 / 1T6164 / 1T6165
COD. 1T6166 / 1T6167

67W Sorgente Led / Led source
75W Apparecchio / Fixture

COD. 1T6144 / 1T6145 / 1T6146
COD. 1T6147 / 1T6148 / 1T6149

70W Sorgente Led / Led source
80W Apparecchio / Fixture

COD. 1T6150 / 1T6151 / 1T6152
COD. 1T6153 / 1T6154 / 1T6155

48W Sorgente Led / Led source
54W Apparecchio / Fixture

COD. 1T6198 / 1T6199 / 1T6200 / 1T6201
COD. 1T6202 / 1T6203

51W Sorgente Led / Led source
58W Apparecchio / Fixture

COD. 1T6186 / 1T6187 / 1T6188
COD. 1T6189 / 1T6190 / 1T6191

84W Sorgente Led / Led source
94W Apparecchio / Fixture

COD. 1T6168 / 1T6169 / 1T6170 / 1T6171
COD. 1T6172 / 1T6173

87W Sorgente Led / Led source
99W Apparecchio / Fixture

COD. 1T6156 / 1T6157 / 1T6158
COD. 1T6159 / 1T6160 / 1T6161

113W Sorgente Led / Led source
127W Apparecchio / Fixture

COD. 1T6210 / 1T6211 / 1T6212
COD. 1T6213 / 1T6214 / 1T6215

145W Sorgente Led / Led source
163W Apparecchio / Fixture

COD. 1T6222 / 1T6223 / 1T6224
COD. 1T6225 / 1T6226 / 1T6227

146W Sorgente Led / Led source
164W Apparecchio / Fixture

COD. 1T6234 / 1T6235 / 1T6236
COD. 1T6237 / 1T6238 / 1T6239

144W Sorgente Led / Led source
162W Apparecchio / Fixture

COD. 1T6216 / 1T6217 / 1T6218
COD. 1T6219 / 1T6220 / 1T6221

182W Sorgente Led / Led source
204W Apparecchio / Fixture

COD. 1T6246 / 1T6247 / 1T6248
COD. 1T6249 / 1T6250 / 1T6251

176W Sorgente Led / Led source
201W Apparecchio / Fixture

COD. 1T6228 / 1T6229 / 1T6230
COD. 1T6231 / 1T6232 / 1T6233

177W Sorgente Led / Led source
199W Apparecchio / Fixture

COD. 1T6240 / 1T6241 / 1T6242
COD. 1T6243 / 1T6244 / 1T6245

225W Sorgente Led / Led source
253W Apparecchio / Fixture

COD. 1T6258 / 1T6259 / 1T6260
COD. 1T6261 / 1T6262 / 1T6263

234W Sorgente Led / Led source
261W Apparecchio / Fixture

COD. 1T6270 / 1T6271 / 1T6272
COD. 1T6273 / 1T6274 / 1T6275

243W Sorgente Led / Led source
273W Apparecchio / Fixture

COD. 1T6252 / 1T6253 / 1T6254
COD. 1T6255 / 1T6256 / 1T6257

286W Sorgente Led / Led source
326W Apparecchio / Fixture

COD. 1T6264 / 1T6265 / 1T6266
COD. 1T6267 / 1T6268 / 1T6269

294W Sorgente Led / Led source
330W Apparecchio / Fixture

COD. 1T6276 / 1T6277 / 1T6278
COD. 1T6279 / 1T6280 / 1T6281

- (I) Lasciare una copia di queste istruzioni al responsabile della manutenzione.
- (GB) Please leave a copy of these instructions to the person responsible for the maintenance of the installation.
- (F) Laisser une copie de ces instructions au responsable de l'entretien du système
- (D) Dieses Hinweisblatt muss von dem Verantwortlichem der Wartung aufbewahrt werden
- (S) Lämna en kopia av dessa instruktioner till underhållschefen.
- (E) Entregar una copia de estas instrucciones al responsable de la instalación.
- (AR) يرجى ترك نسخة من إرشادات وتعليمات التركيب للفني المسئول عن برنامج الصيانة
- (RU) Пожалуйста, сохраните копию инструкции у лица, ответственного за обслуживание установленного оборудования.
- (CN) 请给负责安装维护的人员保留或转达一份说明书。

- (I) L'apparecchio deve essere installato da personale qualificato. L'azienda declina ogni responsabilità qualora l'installazione non avvenga secondo le norme vigenti.
- (GB) This fixture must be installed by a qualified electrician. Targetti is not responsible if its fixtures are not installed according to local safety standards.
- (F) L'appareil doit être installé par électriciens qualifiés. Targetti ne peut pas être responsable pour toutes les installations qui ne respectent pas les normes de sécurité en vigueur.
- (D) Das Gerät muss von Elektroinstallateuren montiert werden. Targetti ist nicht verantwortlich, wenn die Montage nicht gemäß der Sicherheitsvorschriften stattfindet.
- (S) Apparaten ska installeras av kvalificerad personal. Företaget fransäger sig allt ansvar om installationen inte sker enligt gällande föreskrifter.
- (E) El aparato debe ser instalado por electricistas cualificados. Targetti no se responsabiliza de todas las instalaciones que no respeten las normas de seguridad en vigor.
- (AR) الشركة المصنعة لاتحتمل اي مسئولية قانونية في حالة عدم تركيب الجهاز حسب الارشادات والمواصفات المعمول بها يجب تركيب هذا الجهاز عن طريق الفني المختص فقط
- (RU) Сохраните этикетку от оригинальной упаковки на случай возможной будущей рекламации.
- (CN) 该灯具应由有资质的电工安装；如果灯具没有按照本国的安全规范安装，TARGETTI将不承担相关责任

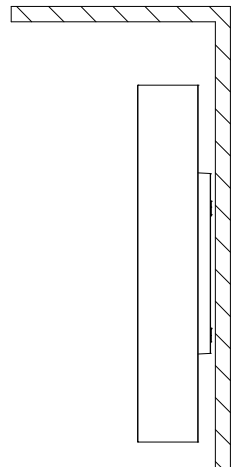
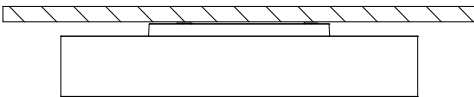
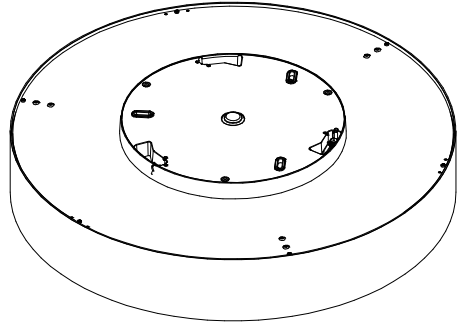
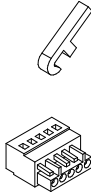
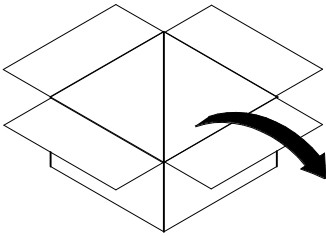
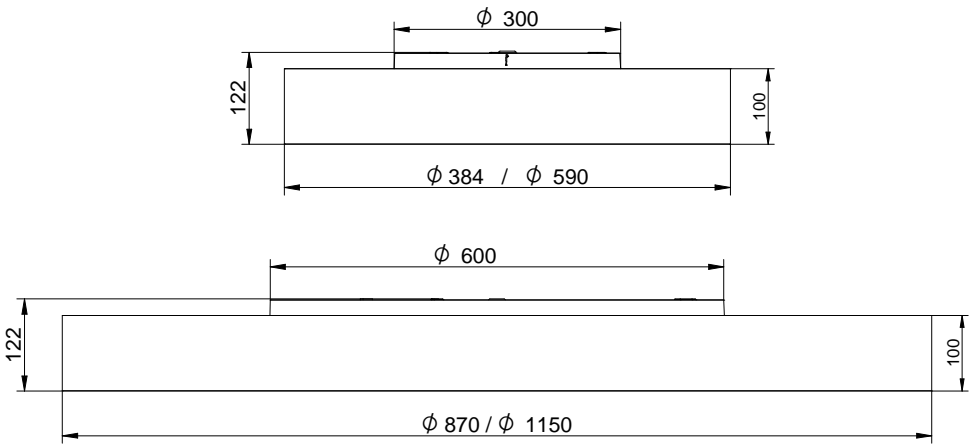
- (I) Conservare l'etichetta dell'imballo originale per eventuali reclami futuri.
- (GB) Keep the label of the original packaging for the eventual future claims.
- (F) Garder l'étiquette de l'emballage original pour éventuelles réclamations futures.
- (D) Die Etikette der Originalverpackung muss für eventuelle zukünftige Reklamationen aufbewahrt werden.
- (S) Håll etiketten på originalförpackningen för eventuella framtida krav.
- (E) Conservar la etiqueta del embalaje original para posibles reclamaciones.
- (AR) يرجى الحفاظ على الملصق الموجود على العبوة الاصلية لاستعمالها في حالة اي تقديم شكوي في المستقبل
- (RU) Сохраните этикетку от оригинальной упаковки на случай возможного будущего обращения в компанию.
- (CN) 请保持好原始包装上的标签

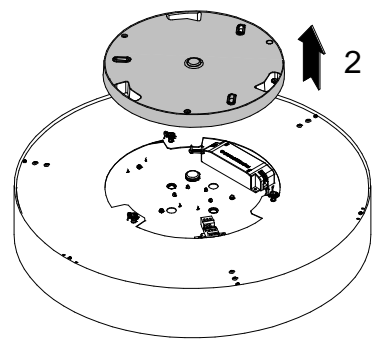
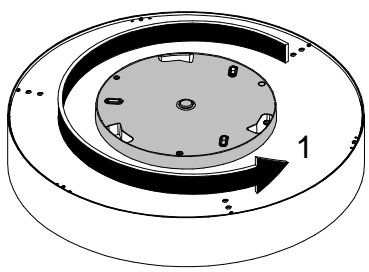
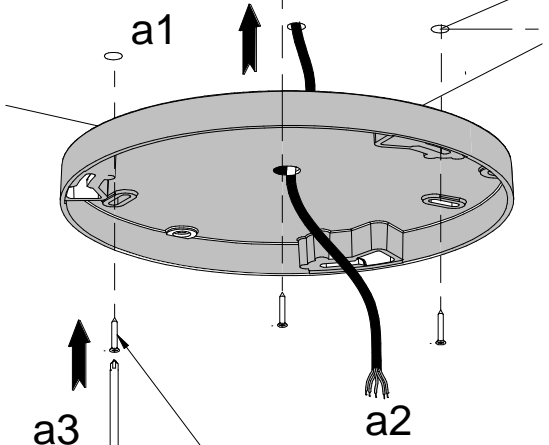
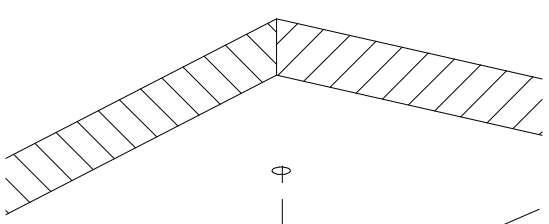
- (I) Per la sostituzione del modulo led o dell'intero apparecchio contattare la nostra assistenza clienti all'indirizzo technical@targetti.com
- (GB) To replace the LED module or the entire luminaire, contact our customer service at technical@targetti.com
- (F) Pour remplacer le module LED ou l'ensemble du luminaire, contactez notre service client à technical@targetti.com
- (D) Um das LED-Modul oder die gesamte Leuchte auszutauschen, wenden Sie sich an unseren Kundendienst unter Technical@targetti.com
- (S) För att byta ut LED-modulen eller hela armaturen, kontakta vår kundtjänst på technical@targetti.com
- (E) Para reemplazar el módulo LED o la luminaria completa, comuníquese con nuestro servicio al cliente en technical@targetti.com
- (AR) في حالة الحاجة تغيير مصدر الإضاءة (LED) أو الكشف بالكامل، يرجى الإتصال بمكتب خدمة الزبائن على اليميل technical@targetti.com
- (RU) Для замены LED модуля или всего светильника пожалуйста свяжитесь с нашей технической службой technical@targetti.com
- (CN) 如需替换LED模组或者整个灯具，请联系客服：technical@targetti.com

- (I) Attenzione nell'area di prodotto del sito web - www.targetti.com - potrebbe essere disponibile una versione più aggiornata del presente manuale
- (GB) Attention in the product area of the website - www.targetti.com - could be available one most updated version of this manual
- (F) Attention, dans l'aire du produit du site web - www.targetti.com - il pourrait être disponible une version plus récente de ce manuel
- (D) Achtung, in der produktspalte www.targetti.com koennte eine ueberarbeitete version dieser anleitung zur verfuegung stehen
- (S) Försiktighet i produkten enligt webbplatsen - www.targetti.com, det kan finnas en mer aktuell version av manualen på produktområdet på web-sidan
- (E) Para más información acerca del producto puede visitar nuestra página web - www.targetti.com - podría estar disponible una versión más actualizada del presente manual
- (AR) إنتباه: في صفحة المنتجات على الموقع - www.targetti.com - قد يتوفر إصدار أحدث من هذا الكتيب
- (RU) АКТУАЛЬНАЯ ВЕРСИЯ ИНСТРУКЦИИ ДОСТУПНА ДЛЯ ЗАГРУЗКИ В РАЗДЕЛЕ PRODUCTS САЙТА www.targetti.com
- (CN) 请留意官网的产品介绍栏，可获得产品的最新版本-www.targetti.com

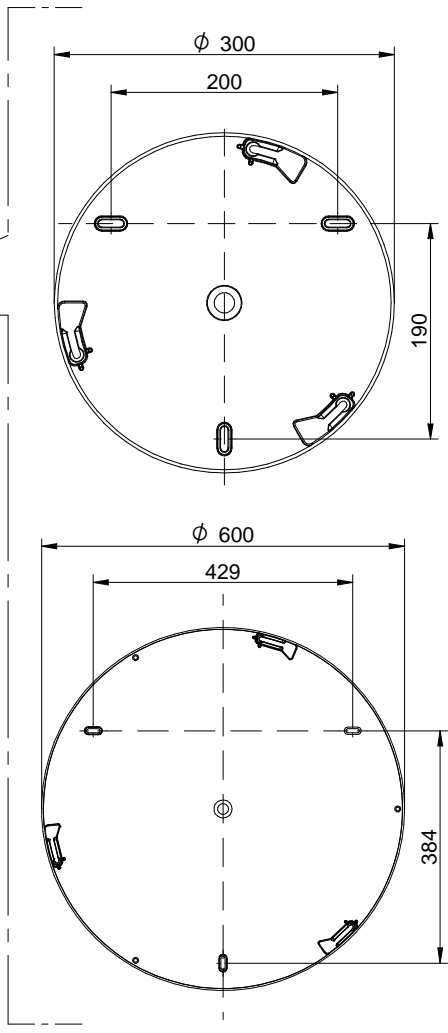
Attenzione! Per gli apparecchi equipaggiati con sistema DALI, tutti i cavi, le connessioni e le attrezzature utilizzate devono essere conformi e adeguate alla relativa tensione di rete; Il segnale DALI potrebbe non essere trasmesso con una bassissima tensione di sicurezza (SELV). Sono disponibili all'indirizzo www.digitalilluminationinterface.org tutte le informazioni generali sul sistema DALI.

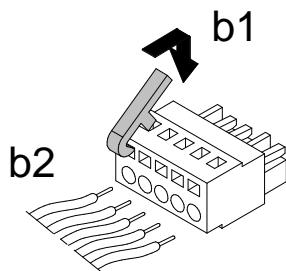
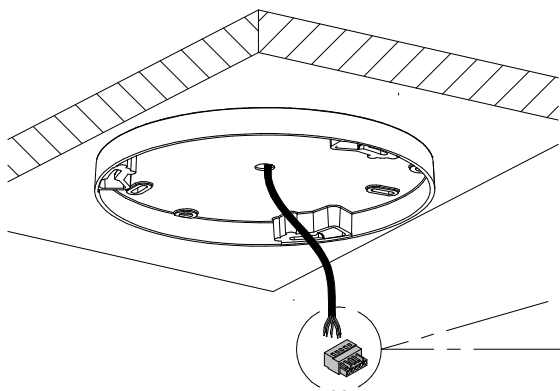
Warning! For luminaires equipped with DALI system, all cables, connections and equipment used must comply and adapt to the relative mains voltage; The DALI signal may not be transmitted with a very low safety voltage (SELV). All general information on the DALI system are available at www.digitalilluminationinterface.org.



A**B**

Sistemi di fissaggio
non inclusi
*Fixing system
not included*

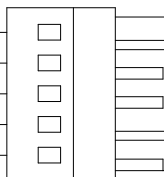


B

8 - 9mm
2,5mm² Max

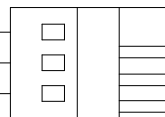
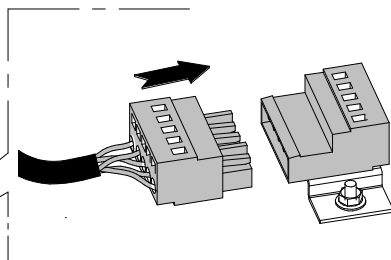
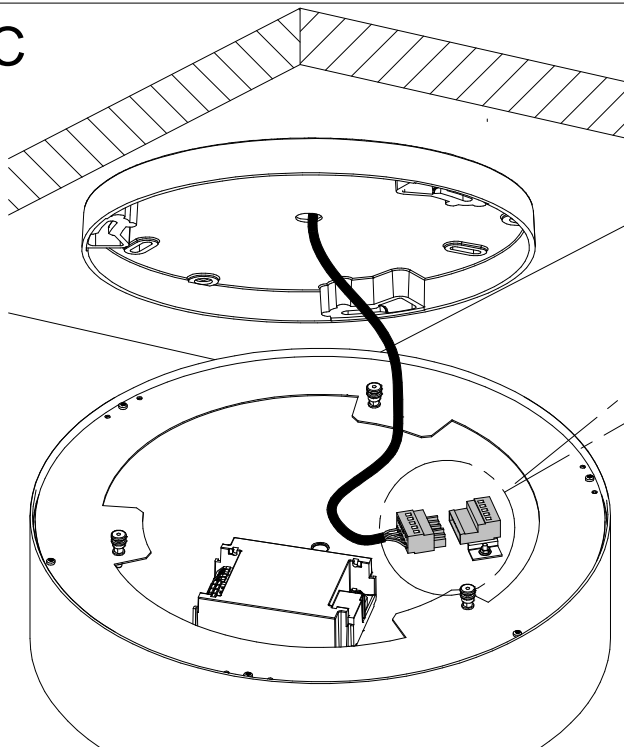
DA DALI Dimmable

DA = Dimmer dali
 DA = Dimmer dali
 L = Linea / Line
 ⊕ = Terra / ground
 N = Neutro / neutral

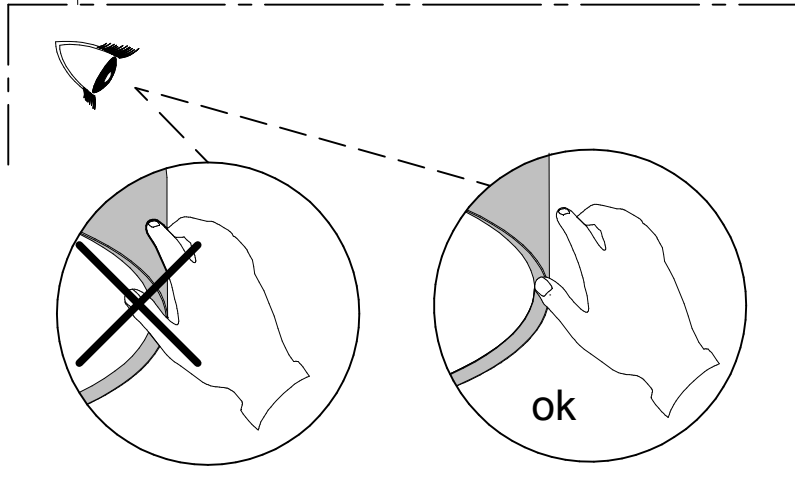
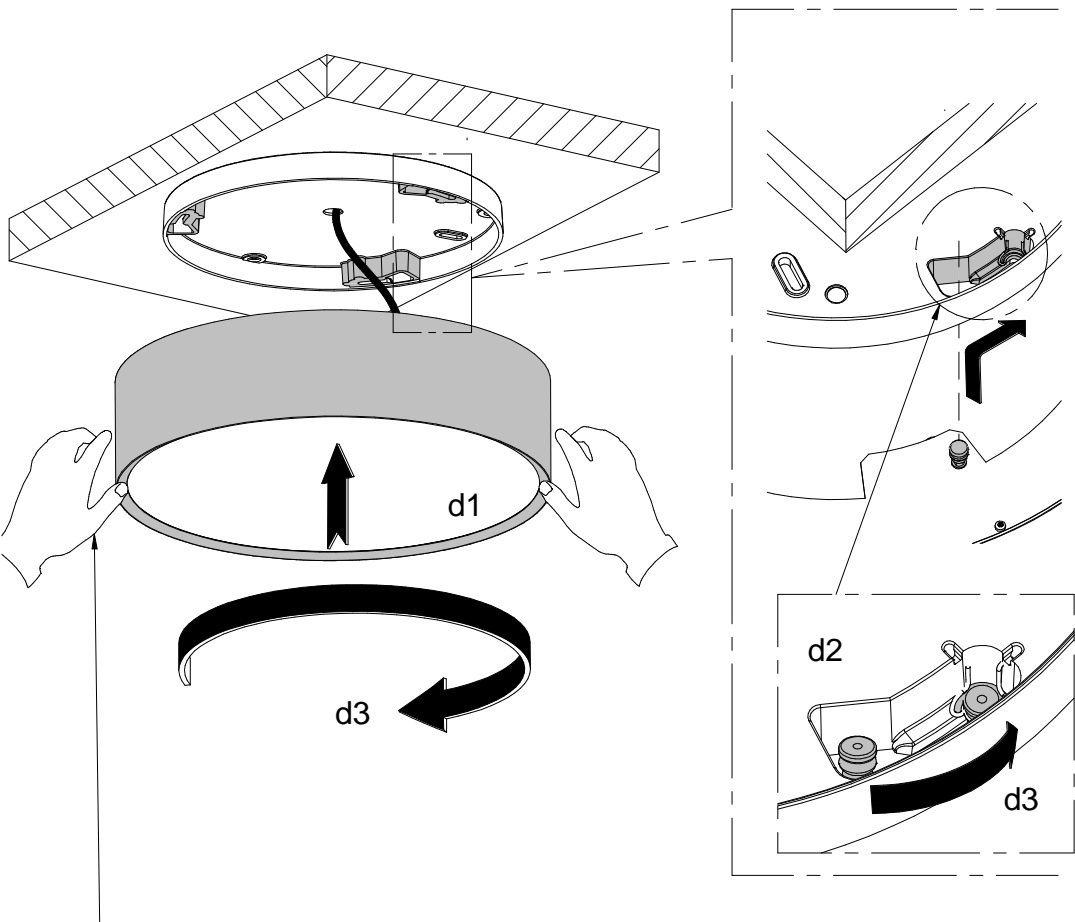


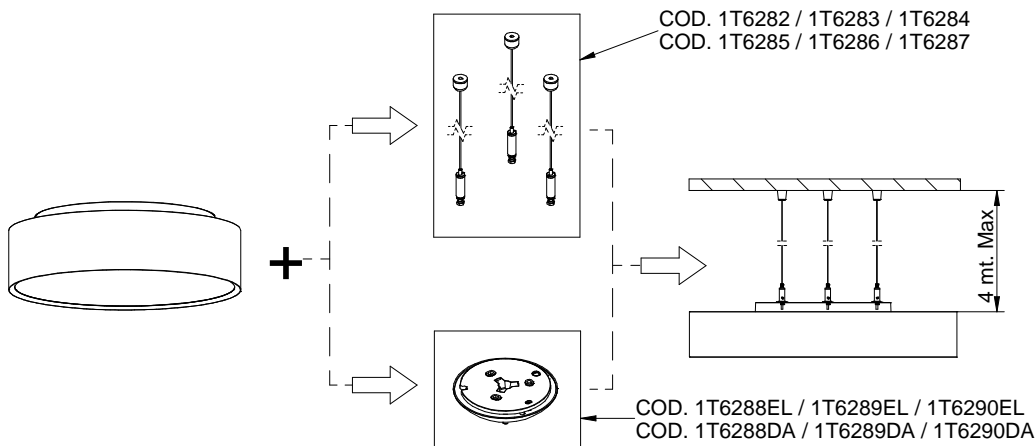
EL Electronic

L = Linea / Line
 ⊕ = Terra / ground
 N = Neutro / neutral

**C**

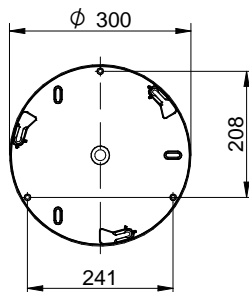
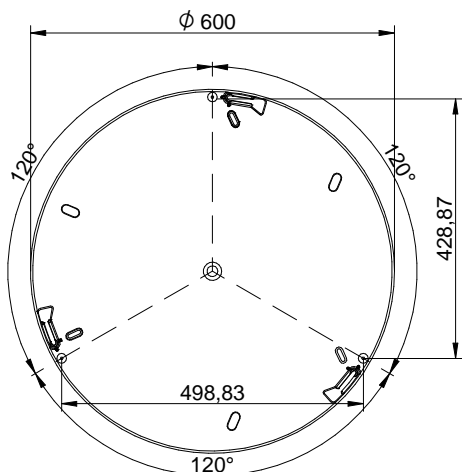
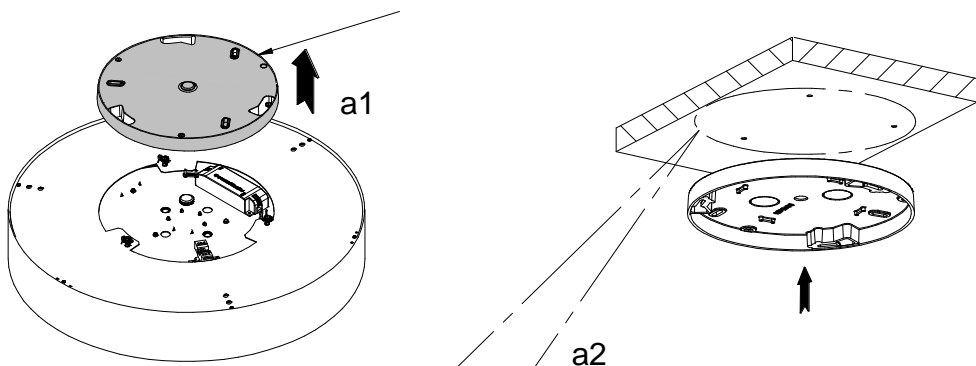
D

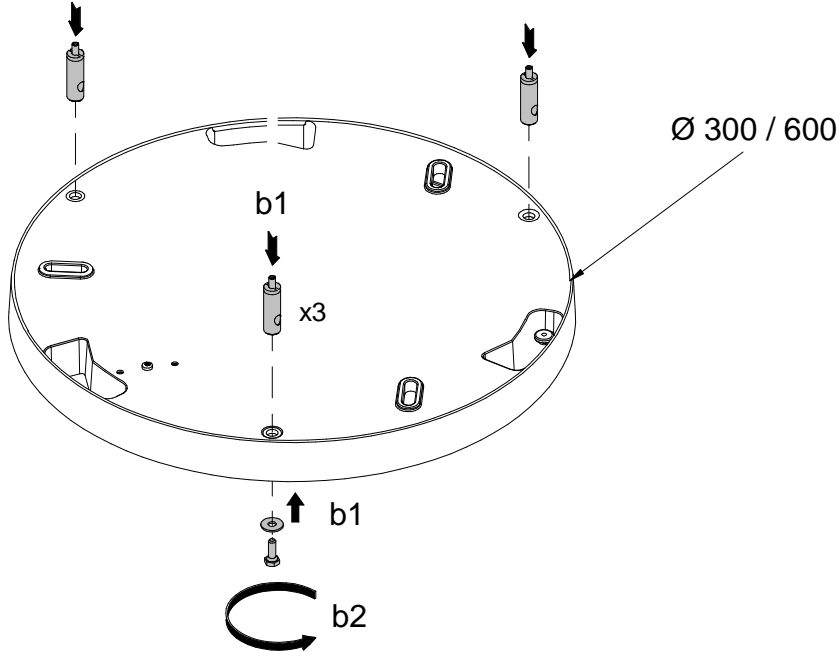
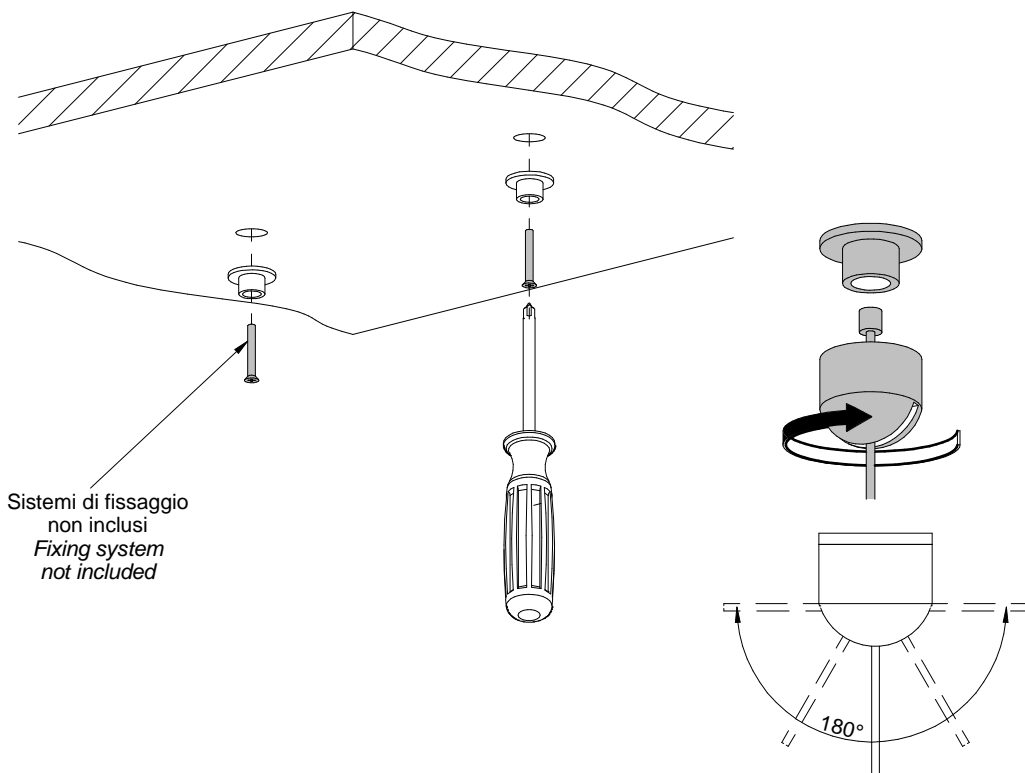




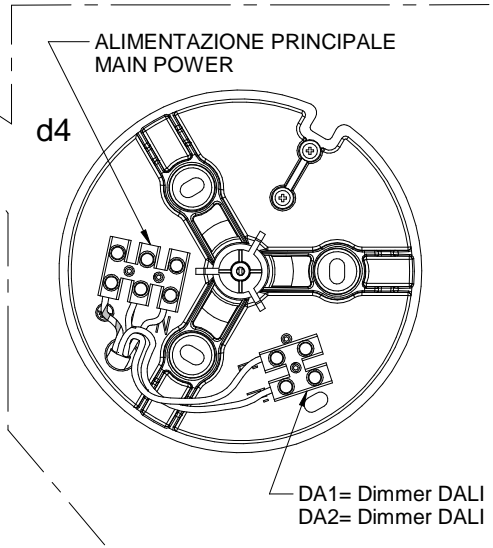
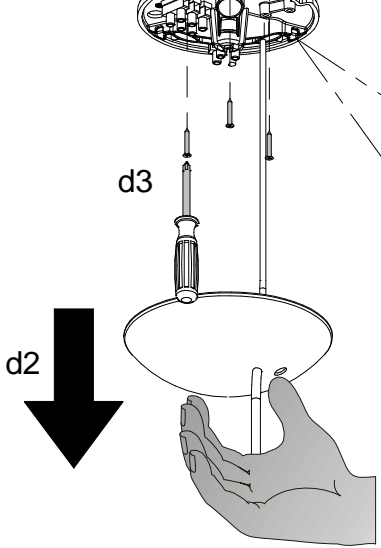
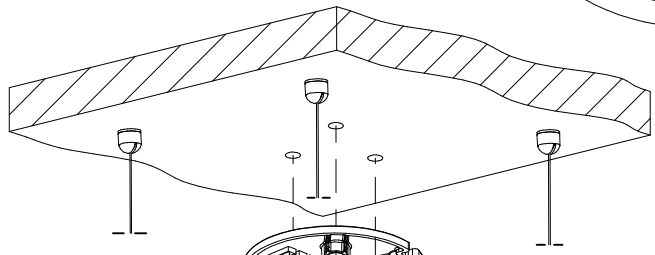
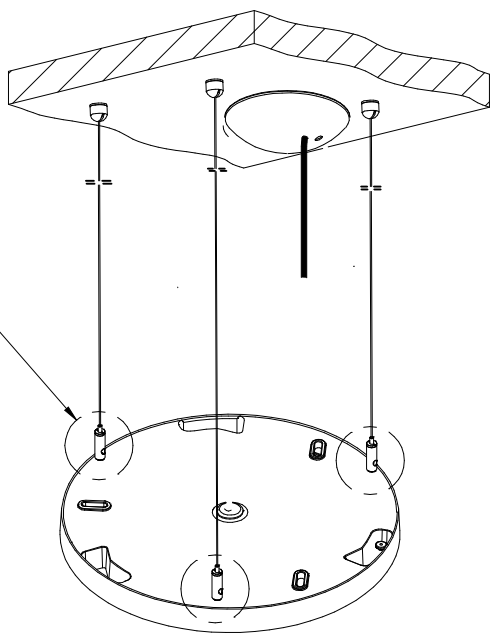
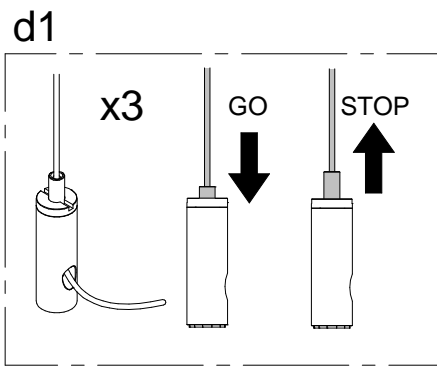
A

USARE DIMA DI FORATURA / DRILLING TEMPLATE

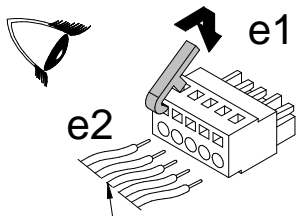
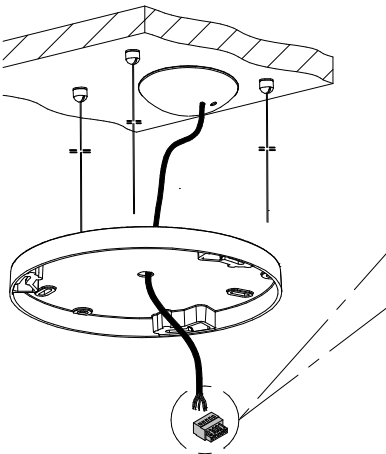


B**C**

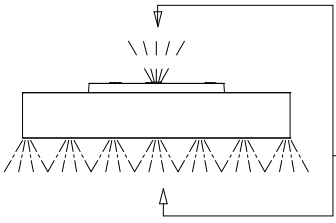
D



E

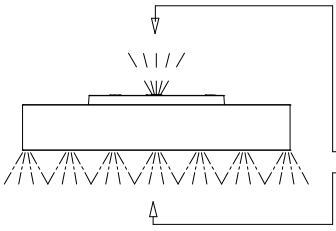


ISOLARE I CAVI NON UTILIZZATI
INSULATE UNUSED CABLES



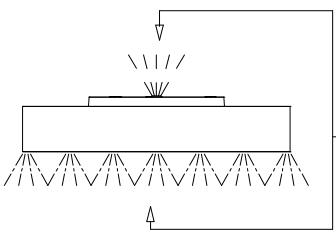
E L Electronic

- = cavo bianco / white cable
- = cavo rosso / red cable
- = Linea / Line (marrone/brown)
- ⊕ = Terra / ground (giallo verde / yellow green)
- N = Neutro / neutral (blu / blue)



E L Electronic

- = cavo bianco/ white cable
- L' = Linea 1 / Line 1 (rosso/red)
- L = Linea / Line (marrone/brown)
- ⊕ = Terra / ground (giallo verde / yellow green)
- N = Neutro / neutral (blu / blue)

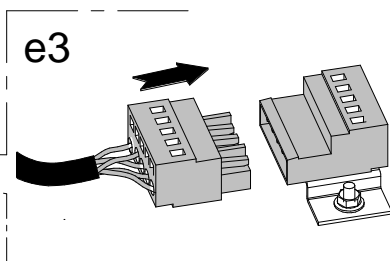
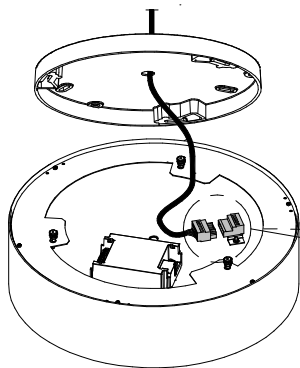


D A DALI Dimmable

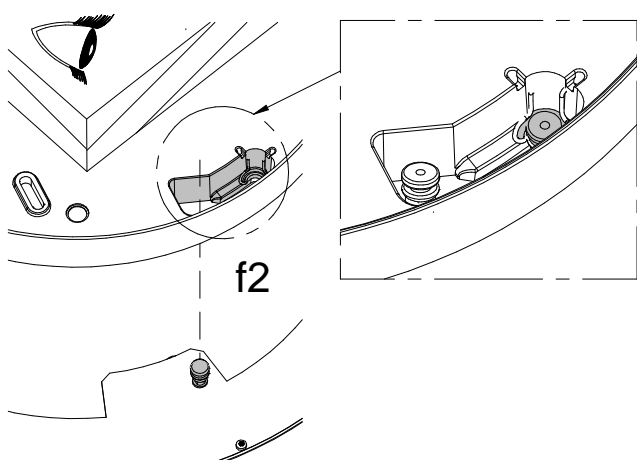
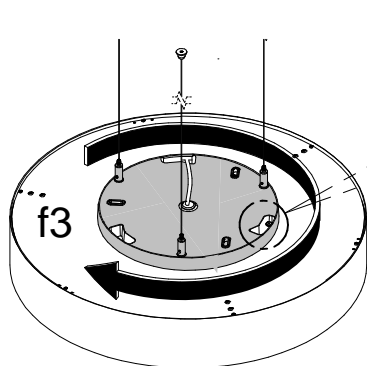
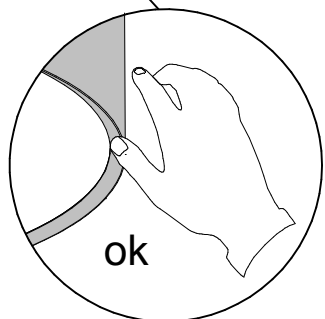
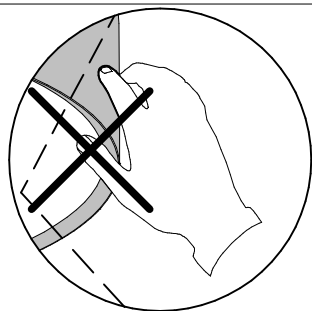
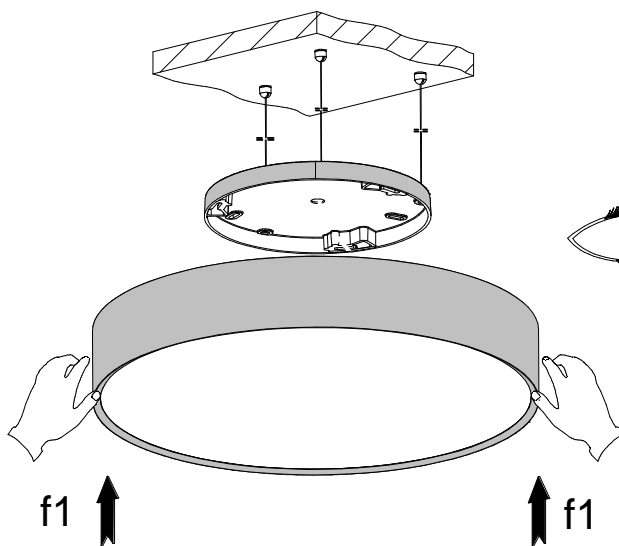
- DA = Dimmer dali (bianco/white)
- DA = Dimmer dali (rosso/red)
- L = Linea / Line (marrone/brown)
- ⊕ = Terra / ground (giallo verde / yellow green)
- N = Neutro / neutral (blu / blue)

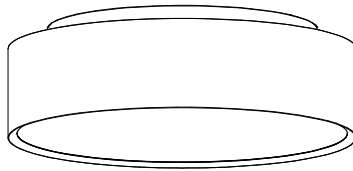
Per accensioni separate utilizzare sistema DALI
 For separate switches use DALI sistem

THREESIXTY	DOWN	UP / DOWN	HALO
	N°CANALI / N° CHANNELS	N°CANALI / N° CHANNELS	N°CANALI / N° CHANNELS
∅ 384	1	2	2
∅ 590	1	2	2
∅ 870	1	2	2
∅ 1150 - (183W)	1	2	2
∅ 1150 - (243W)	2	3	3



F

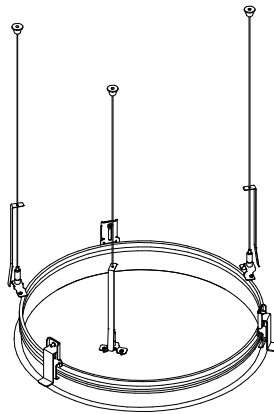




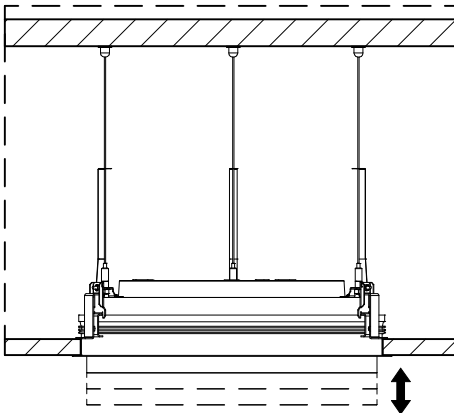
Cornice regolabile per semi-incasso e incasso totale
Adjustable frame for semi or completely recessed installation



Cornice non portante
Non load bearing frame

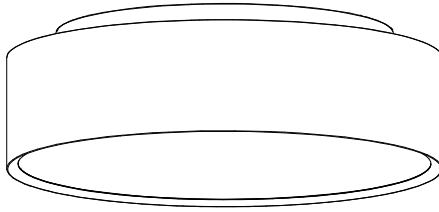


COD. 1T6291
COD. 1T6292
COD. 1T6293
COD. 1T6294
COD. 1T6295
COD. 1T6296
COD. 1T6297
COD. 1T6298
COD. 1T6299
COD. 1T6300
COD. 1T6301
COD. 1T6302

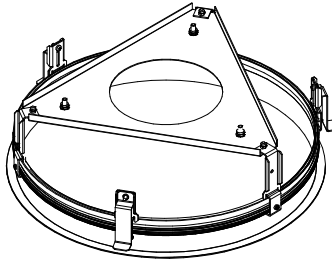


L'apparecchio non deve, in alcuna circostanza, essere coperto con materiale isolante o similare.

The luminaire shall, under no circumstances, be covered with insulating matting or similar material.



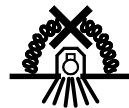
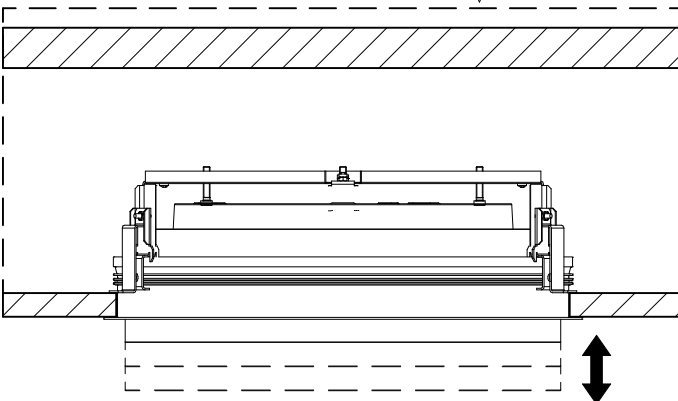
Telaio per semi-incasso e incasso totale
Frame for semi or completely recessed installation



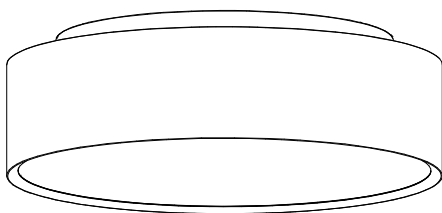
COD. 1T6303
COD. 1T6304
COD. 1T6305
COD. 1T6306
COD. 1T6307
COD. 1T6308



Telaio portante per le misure \varnothing 384/590mm
Load bearing outer frame dimensions \varnothing 384/590mm

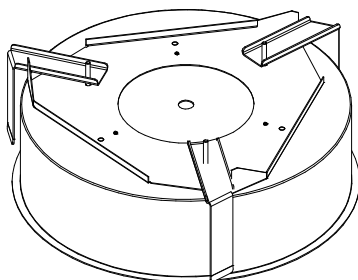


L'apparecchio non deve, in alcuna circostanza, essere coperto con materiale isolante o similare.
The luminaire shall, under no circumstances, be covered with insulating matting or similar material.



Controcassa portante per semi-incasso e incasso totale
Casing for semi or completely recessed installation

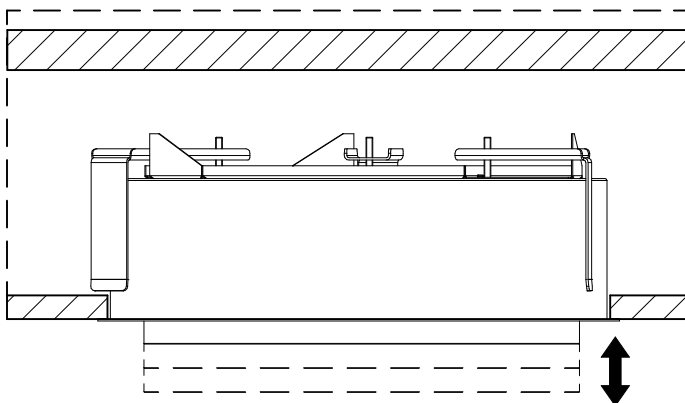
EFFETTO HALO
HALO EFFECT



COD. 1T6401
COD. 1T6402
COD. 1T6403
COD. 1T6404
COD. 1T6405
COD. 1T6406



Controcassa portante per le misure \varnothing 384/590mm
Load bearing outer casing dimensions \varnothing 384/590mm



L'apparecchio non deve, in alcuna circostanza, essere coperto con materiale isolante o similare.
The luminaire shall, under no circumstances, be covered with insulating matting or similar material.