



## PANTH ST

### Typology

LED projector "minimal design" for outdoor and indoor applications.

### Features

It can be connected to motion or twilight sensors.

Very small dimensions and design that meets the most demanding aesthetic requirements.

Supplied with an orientable mounting bracket.

### Material

Painted die-cast metal body.

### Beam

120°

### Notes

Do not use with dimmer.

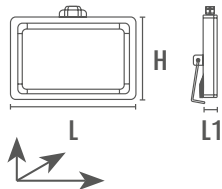
Free wire for professional use (30 cm long).

220-240 Vac	Ra >80		20000 h	IP65	Terminals	-25°C +35°C	RG1	<b>BASIC</b>	
	G3								

### Characteristic data

Power	20 W	Beam	120°	Dimmable	No	Input	220-240 Vac
Base	Terminals	IP	65	Flux	1600 lm	PF	0,90
Tc	4000 K	Ra	>80	LED Warranty	G3	Axis	660 cd
RG	RG1	Color	Black				

### Dimensional characteristics



L	121 mm
L1	26 mm
H	95 mm

## Lighting and photometric features

Beam opening	120°
Flux	1600 lm
CCT nominal colour temperature	4000 K
Colour of the light	Natural light
Colour rendering index	>80
Lifespan	20000 h
LED lifespan	L70B30
Trigger time	<0,2 s
Heating time up to 60% of full efficiency	Instant Full Light

## Electrical characteristics

Rated power	20 W
Input voltage	220-240 Vac
Frequency	50-60 Hz
Dimmable	No
Power factor (PF)	0,90
Operating temperature	-25°C / +35°C

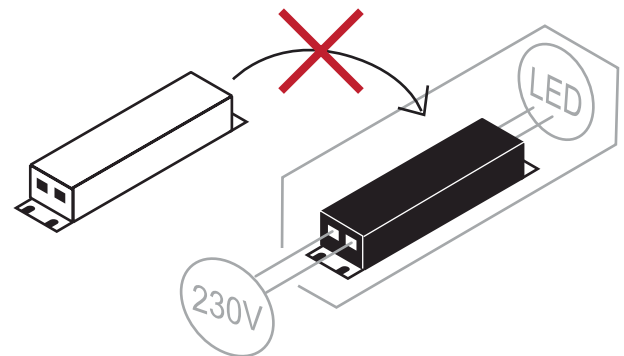
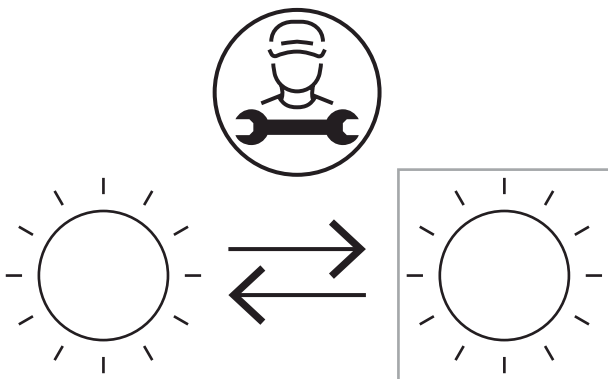
## Photometry

	4000K	H(m)	D1(m)	D2(m)	E <sub>max</sub> (lx)
	Ra80		108°	96°	
Fixture Power	20W	1	2.74	2.22	671
Source Flux	1560lm	2	5.48	4.43	168
Fixture Flux	1560lm	3	8.23	6.65	75
Efficacy	78lm/W	4	10.97	8.86	42
932305 I <sub>max</sub> =431cd/klm	I <sub>max</sub>	5	13.71	11.08	27

EuLumDat file on the site

## Other Infotech

Light source replaceability	Replaceable light source by a professional.
Control gear replaceability	Non-replaceable control gear.



## LED Warranty

G3	Up to 3 years (4000h/year) *4000h = 11h a day x 365 days. Without limitations on the duration of use for the first year, provided the observance of the installation conditions.
----	--

## European Directives

2009/125/EC \* Ecodesign  
2011/65/EU \* RoHS  
2012/19/EU \* RAEE  
2014/30/EU \* EMC  
2014/35/EU \* LVD  
2015/863 \* Amending RoHS  
2017/1369 \* Regulation for Energy Labelling  
2019/2015 \* Regulation for Energy Labelling  
2019/2020 \* Regulation for Ecodesign  
2021/340 \* Amending Reg. Energy Labelling  
2021/341 \* Amending Reg. Ecodesign

## Product standards

CEI EN 55015:2020 (+A11:2020)  
CEI EN 60598-1:2022  
CEI EN 60598-2-5:2016  
CEI EN 61000-3-2:2019 (+A1:2021)  
CEI EN 61000-3-3:2014 (+EC1:2014/+EC2:2016/+A1:2021/+A2:2022)  
CEI EN 61547:2010  
CEI EN 62031:2021 (+A11:2022)  
CEI EN 62471:2010  
IEC/TR 62471-2:2009  
CEI EN 62493:2015  
CEI 34-141:2014

## Logistics data

Item net weight	320 gr
Barcode single item	8011905932305
Number of pieces multiple pack	5
Barcode multiple pack	8011905932435
Minimum order quantity	5