

INSTALLATION MANUAL

7055B/RGB

ecolight

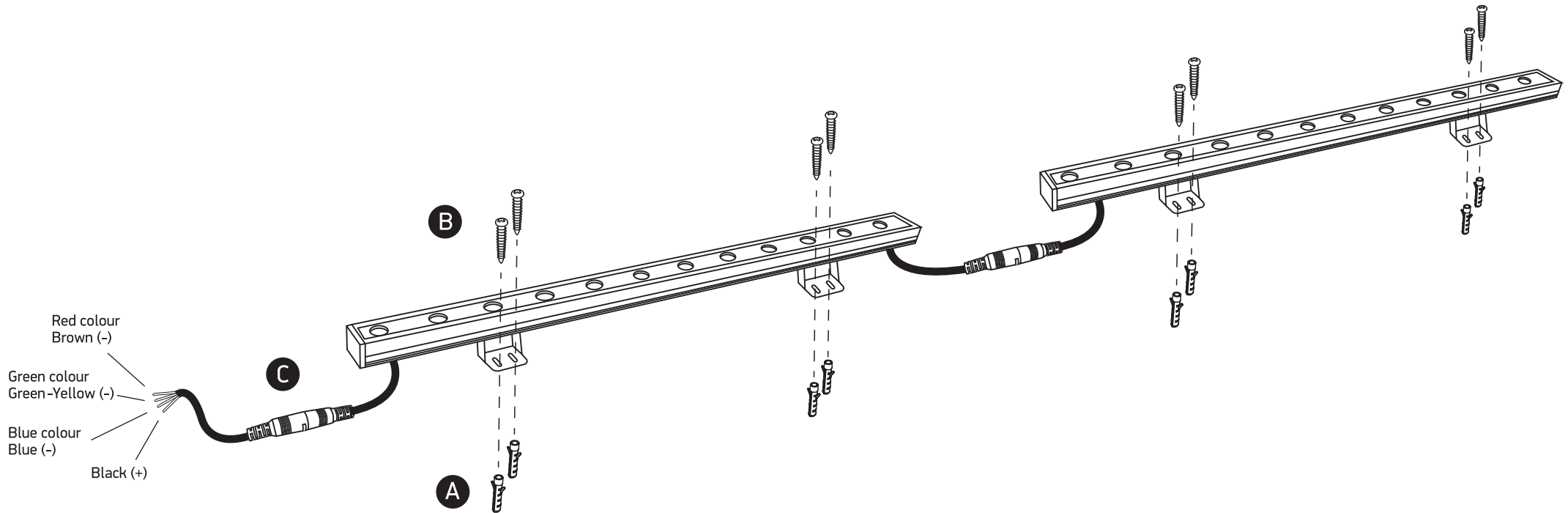
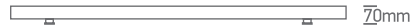
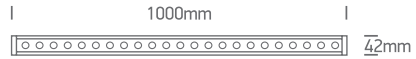


Requires 24V DC driver.



24V DC | 24x1,5W | IP66 | Aluminium

Connect maximum 5pcs.



Warnings:

1. Make sure that the product is installed properly before connecting to electricity.
2. Do not cover the fitting.
3. Maintenance and installation should only be carried out by a professional electrician.