



SLIMFLUX BL SENSOR

Typology

Direct-light LED panel, equipped with sensor remote-controlled. Via the remote control it is possible to switch the luminaire on and off, dim and select the lighting mode with motion detection or room brightness detection.

Features

The backlit panel is composed of a metal material back compartment providing a heat sink function.

The sensor can be removed; replacement sensor available as a separate part number (KTLP-SR).

Colour rendering: Ra>80.

Installation

Consider more depth for recessed installations.

Surface mounting: select the recommended frame from the accessories table.

Material

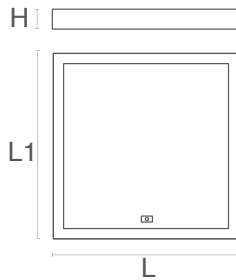
Painted white aluminium body; anti-yellowing PS screen.



Characteristic data

Power	36 W	Dimmable	No	Input	220-240 Vac	Base	Free Wire
IP	20	Optical compartment IP	40	Flux	4000 lm	PF	0,9
UGR	<19	Tc	4000 K	Ra	>90	LED Warranty	G5h24
RG	RG0						

Dimensional characteristics



L	595 mm
L1	595 mm
H	32 mm
H2	46 mm

Lighting and photometric features

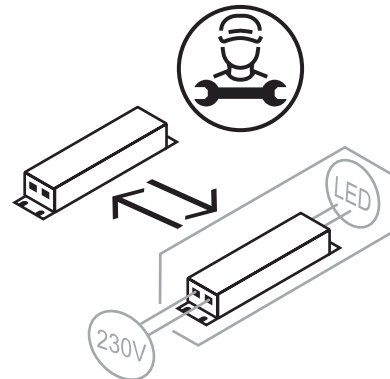
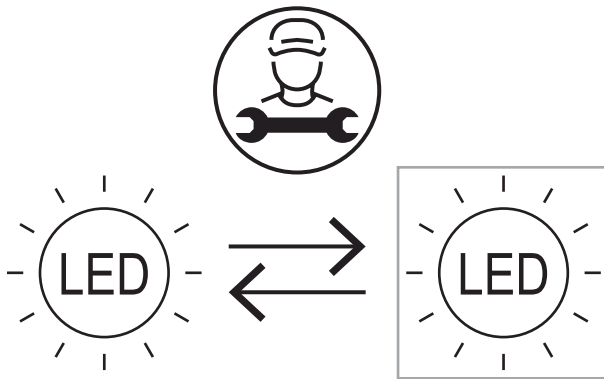
Flux	4000 lm
CCT nominal colour temperature	4000 K
Colour of the light	Natural light
Colour rendering index	>90
Lifespan	50000 h
LED lifespan	L70B20
UGR	<19

Electrical characteristics

Rated power	36 W
Input voltage	220-240 Vac
Frequency	50-60 Hz
Dimmable	No
Power factor (PF)	0,9
Operating temperature	-25°C / +40°C

Other Infotech

Flicker Free	Yes
Light source replaceability	Replaceable (LED only) light source by a professional.
Control gear replaceability	Replaceable control gear by a professional.



LED Warranty

G5h24	Full Guarantee 5 years (24h/24h) Without limitations on the duration of use for the first year, provided the observance of the installation conditions.
-------	---

European Directives

2009/125/EC * Ecodesign
 2011/65/EU * RoHS
 2012/19/EU * RAEE
 2014/30/EU * EMC
 2014/35/EU * LVD
 2015/863 * Amending RoHS
 2017/1369 * Regulation for Energy Labelling
 2019/2015 * Regulation for Energy Labelling
 2019/2020 * Regulation for Ecodesign
 2021/340 * Amending Reg. Energy Labelling
 2021/341 * Amending Reg. Ecodesign

Product standards

CEI EN 55015:2020 (+A11:2020)
 CEI EN 60598-1:2022
 CEI EN 60598-2-1:2022
 CEI EN 60598-2-2:2012
 CEI EN 61000-3-2:2019 (+A1:2021)
 CEI EN 61000-3-3:2014 (+EC1:2014/+EC2:2016/+A1:2021/+A2:2022)
 CEI EN 61547:2010
 CEI EN 62031:2021 (+A11:2022)
 CEI EN 62471:2010
 IEC/TR 62471-2:2009
 CEI EN 62493:2015
 CEI 34-141:2014

Logistics data

Item net weight	3000 gr
Barcode single item	8011905331290
Number of pieces multiple pack	6
Minimum order quantity	6
Minimum packaging	6 / 6