



INCASS. LED 3" 7W 220-240V 3000K TONDO

Typology

LED source with SMD technology and high efficiency chip integrated into a recessed luminaire.
External driver included in the package.
Low thickness.

Features

Aluminium finned body for best heat dissipation.

Installation

Complete with springs for easy fastening into false ceilings.

Material

Die-cast aluminium body.

Usage information

Can be used with multi-current dimming power supply, code DELT40D-M.

Emergency

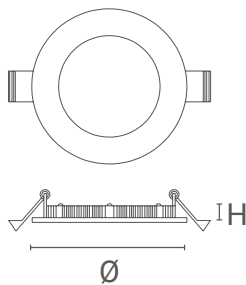
Can be used with standby emergency kit, code KTEMR03.



Characteristic data

| | | | | | | | |
|-------|--------|------|--------|------------------------|----|--------------|-------------|
| Power | 7 W | Beam | 110° | Dimmable | No | Input | 100-240 Vac |
| Base | Wire | IP | 20 | Optical compartment IP | 43 | Flux | 600 lm |
| PF | 0.9 | Tc | 3000 K | Ra | 90 | LED Warranty | G5h24 |
| Axis | 290 cd | RG | RG0 | | | | |

Dimensional characteristics



| | |
|---|--------|
| Ø | 100 mm |
| H | 27 mm |

| | |
|--------------|----|
| Cutting hole | 80 |
|--------------|----|

Lighting and photometric features

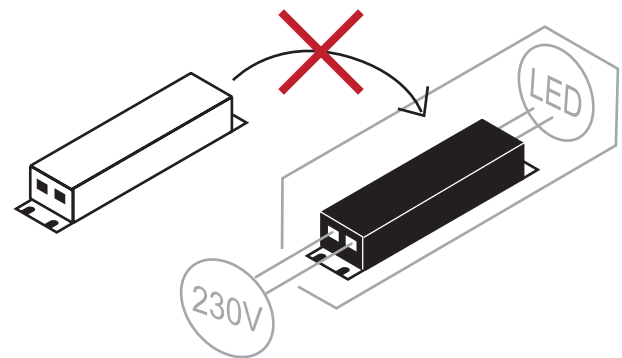
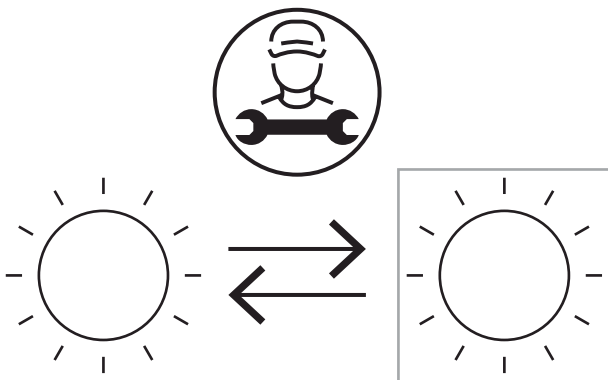
| | |
|--------------------------------|------------|
| Beam opening | 110° |
| Flux | 600 lm |
| CCT nominal colour temperature | 3000 K |
| Colour of the light | Warm light |
| Colour rendering index | 90 |
| Lifespan | 50000 h |
| LED lifespan | L70B20 |

Electrical characteristics

| | |
|-----------------------------|---------------|
| Rated power | 7 W |
| Input voltage | 100-240 Vac |
| Frequency | 50-60 Hz |
| Dimmable | No |
| Power factor (PF) | 0.9 |
| Input current | 0.48 A |
| Weighted energy consumption | 7 kWh/1000h |
| Operating temperature | -25°C / +35°C |

Other Infotech

| | |
|-----------------------------|---|
| Flicker Free | Yes |
| Light source replaceability | Replaceable light source by a professional. |
| Control gear replaceability | Non-replaceable control gear. |



LED Warranty

| | |
|-------|---|
| G5h24 | Full Guarantee 5 years (24h/24h) Without limitations on the duration of use for the first year, provided the observance of the installation conditions. |
|-------|---|

European Directives

2009/125/EC * Ecodesign
 2011/65/EU * RoHS
 2012/19/EU * RAEE
 2014/30/EU * EMC
 2014/35/EU * LVD
 2015/863 * Amending RoHS
 2017/1369 * Regulation for Energy Labelling
 2019/2015 * Regulation for Energy Labelling
 2019/2020 * Regulation for Ecodesign
 2021/340 * Amending Reg. Energy Labelling
 2021/341 * Amending Reg. Ecodesign

Product standards

CEI EN 55015:2020 (+A11:2020)
 CEI EN 60598-1:2022
 CEI EN 60598-2-5:2016
 CEI EN 61000-3-2:2019 (+A1:2021)
 CEI EN 61000-3-3:2014 (+EC1:2014/+EC2:2016/+A1:2021/+A2:2022)
 CEI EN 61547:2010
 CEI EN 62031:2021 (+A11:2022)
 CEI EN 62471:2010
 IEC/TR 62471-2:2009
 CEI EN 62493:2015
 CEI 34-141:2014

Logistics data

| | |
|--------------------------------|---------------|
| Barcode single item | 8011905326753 |
| Number of pieces multiple pack | 30 |
| Minimum order quantity | 1 |
| Minimum packaging | 1 / 30 |