



INCASS. LED 4'' 14W 220-240V 3000K TONDO

Typology

LED source with SMD technology and high efficiency chip integrated into a recessed luminaire.
External driver included in the package.
Low thickness.

Features

Aluminium finned body for best heat dissipation.

Installation

Complete with springs for easy fastening into false ceilings.

Material

Die-cast aluminium body.

Usage information

Can be used with multi-current dimming power supply, code DELT40D-M.

Emergency

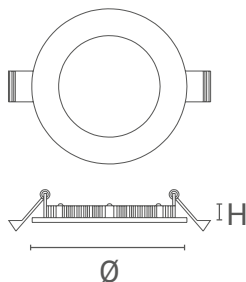
Can be used with standby emergency kit, code KEMR03.



Characteristic data

Power	14 W	Beam	110°	Dimmable	No	Input	100-240 Vac
Base	Wire	IP	20	Optical compartment IP	43	Flux	1195 lm
PF	0.9	Tc	3000 K	Ra	90	LED Warranty	G5h24
Axis	585 cd	RG	RGO				

Dimensional characteristics



Ø	145 mm
H	27 mm

Cutting hole	125
--------------	-----

Lighting and photometric features

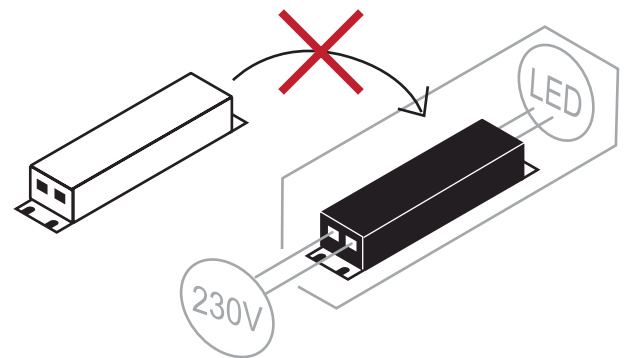
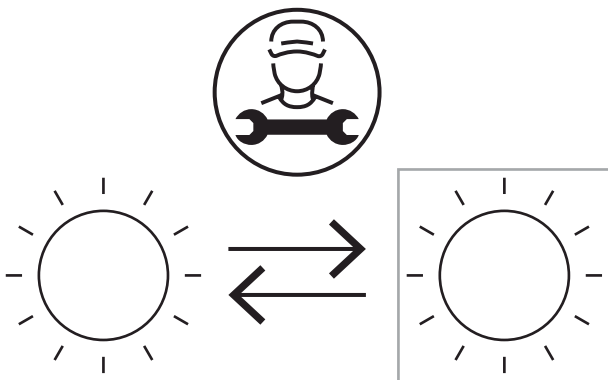
Beam opening	110°
Flux	1195 lm
CCT nominal colour temperature	3000 K
Colour of the light	Warm light
Colour rendering index	90
Lifespan	50000 h
LED lifespan	L70B20

Electrical characteristics

Rated power	14 W
Input voltage	100-240 Vac
Frequency	50-60 Hz
Dimmable	No
Power factor (PF)	0.9
Input current	0.67 A
Weighted energy consumption	14 kWh/1000h
Operating temperature	-25°C / +35°C

Other Infotech

Flicker Free	Yes
Light source replaceability	Replaceable light source by a professional.
Control gear replaceability	Non-replaceable control gear.



LED Warranty

G5h24	Full Guarantee 5 years (24h/24h) Without limitations on the duration of use for the first year, provided the observance of the installation conditions.
-------	---

European Directives

2009/125/EC * Ecodesign
 2011/65/EU * RoHS
 2012/19/EU * RAEE
 2014/30/EU * EMC
 2014/35/EU * LVD
 2015/863 * Amending RoHS
 2017/1369 * Regulation for Energy Labelling
 2019/2015 * Regulation for Energy Labelling
 2019/2020 * Regulation for Ecodesign
 2021/340 * Amending Reg. Energy Labelling
 2021/341 * Amending Reg. Ecodesign

Product standards

CEI EN 55015:2020 (+A11:2020)
 CEI EN 60598-1:2022
 CEI EN 60598-2-5:2016
 CEI EN 61000-3-2:2019 (+A1:2021)
 CEI EN 61000-3-3:2014 (+EC1:2014/+EC2:2016/+A1:2021/+A2:2022)
 CEI EN 61547:2010
 CEI EN 62031:2021 (+A11:2022)
 CEI EN 62471:2010
 IEC/TR 62471-2:2009
 CEI EN 62493:2015
 CEI 34-141:2014

Logistics data

Barcode single item	8011905326784
Number of pieces multiple pack	30
Minimum order quantity	1
Minimum packaging	1 / 30