

LED LINEAR LIGHT

Item Code	CCT	kg	
521028002800	3000K/4000K	1.00Kg	
521028002900	3000K/4000K	1.300Kg	

	Model Name	L (mm)	D (mm)	H (mm)	Rated Voltage (V~)	Frequency (Hz)	Current (A)	Power Factor	Rated Power(W)
	LEDLinear-Fiji L600-12W	600	72	46	220-240	50/60	0.3	0.9	12
	LEDLinear-Fiji L900-20W	900	72	46			0.5		20

Light Source

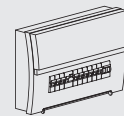
Product Code	Product Description	N	Light source code	QR Code	Energy Label
521028002800	LEDLinear-Fiji L600-12W-830/840-BL	1	LS118001232-02		
521028002900	LEDLinear-Fiji L900-20W-830/840-BL	1	LS118002032-02		

* This product contains a light source of energy efficiency class (C).

Installation Procedure

WARNING

1. Switch off before installation.
2. Switch on only after complete installation and examination of the circuit.
3. Professional electrician for installation and maintenance only.



Turn Off
Power Supply

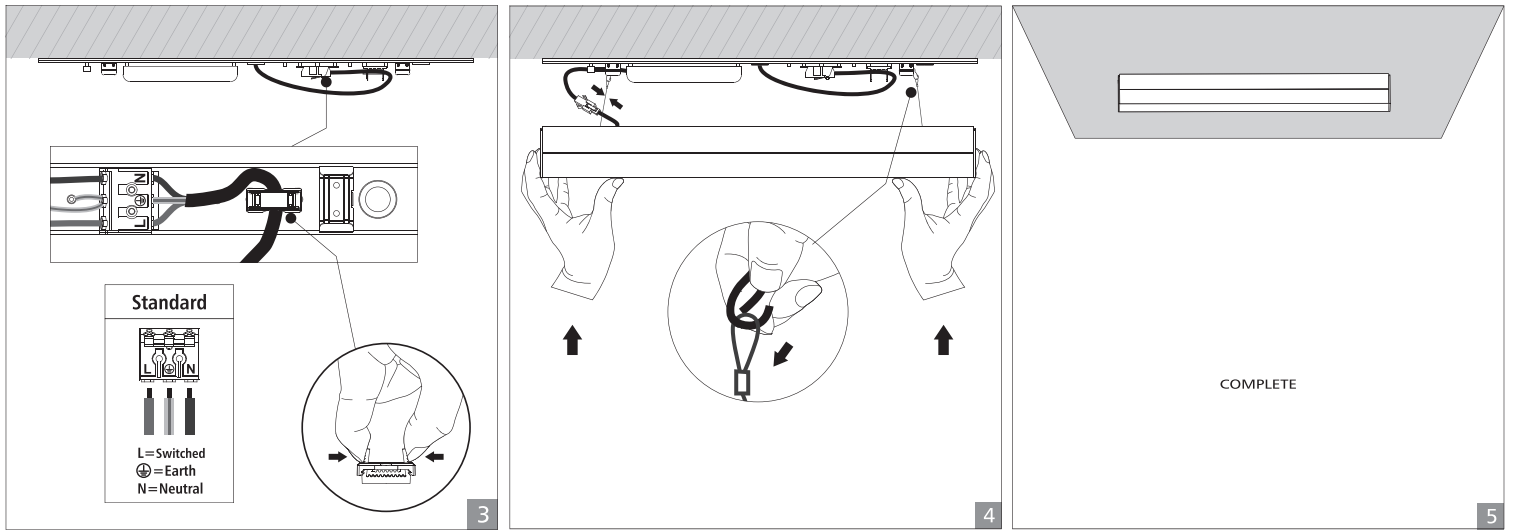


Surface mounted installation

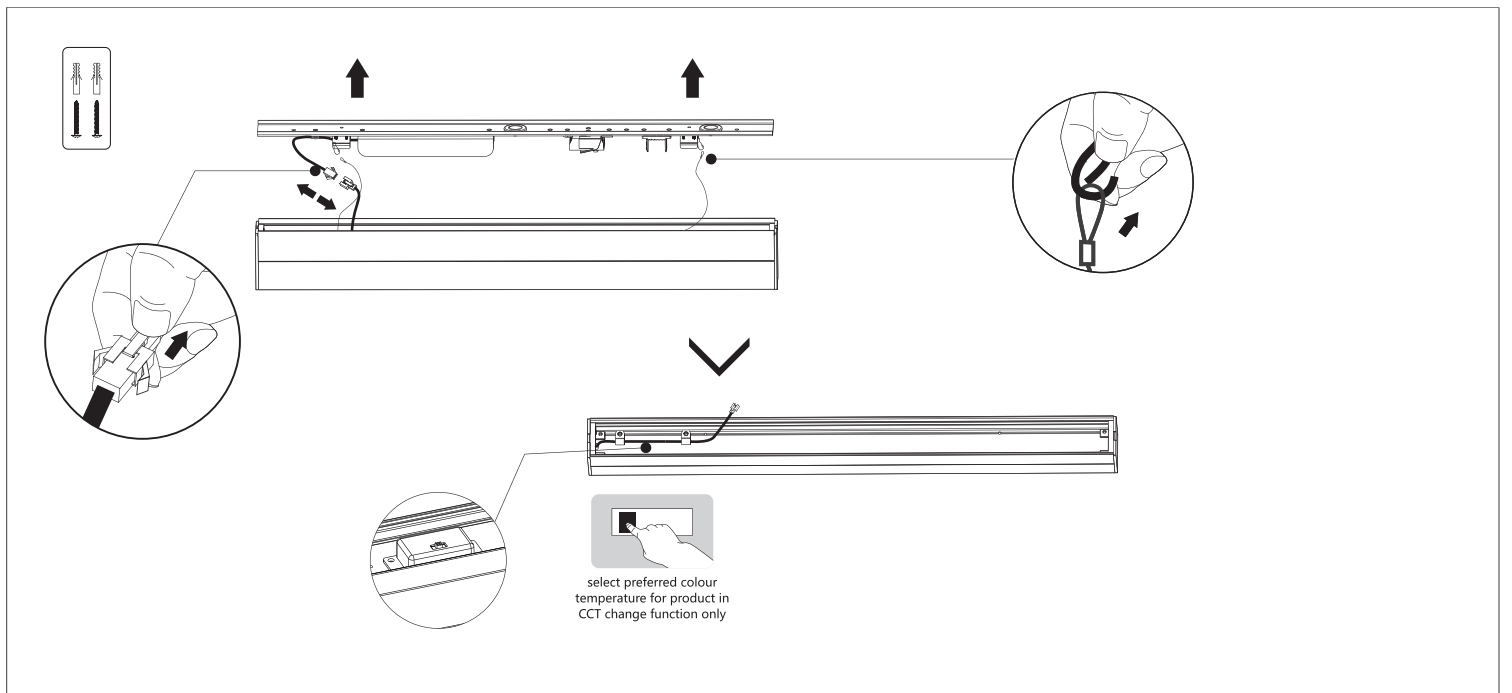
select preferred colour temperature for product in CCT change function only

1

2



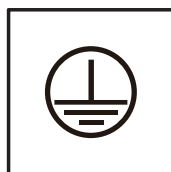
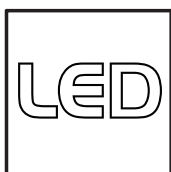
Wall mounted installation



Safety Instructions

Basic safety precautions should always be followed when installing, including the following:

1. Read all instructions.
2. Licensed electrician for installation only.
3. Always ensure the power is OFF and the fitting has cooled down before performing any maintenance, cleaning, changing the globe or adjustment to the fitting.
4. Do not install any luminaire near the heat source.
5. Do not exceed the nominal supply voltage or amperage ratings.
6. To avoid injury or damage to the fitting, please ensure that power leads and screws are secure before connecting the power.



Oppl Lighting B.V.
 Meerenakkerweg 1-07
 5652 AR Eindhoven
 The Netherlands
 service@opple.com
 www.opple.com

Data subject to change
 Les données sont sujettes à modifications
 Änderungen vorbehalten

OPPLE Lighting Co., Ltd.
 Room 411, Building 1 No. 6111, Longdong Avenue,
 Pudong New District, Shanghai City 201201, P. R. China