



## PANTH ST

### Typology

LED projector "minimal design" for outdoor and indoor applications.

### Features

It can be connected to motion or twilight sensors.

Very small dimensions and design that meets the most demanding aesthetic requirements.

Supplied with an orientable mounting bracket.

Equipped with a GORE-TEX® valve to compensate for pressure variations due to thermal changes and to prevent the formation of condensation in the fixture.

### Material

Painted die-cast metal body.

### Beam

120°

### Notes

Do not use with dimmer.

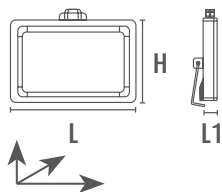
Free wire for professional use (1 m long).



### Characteristic data

|       |           |       |       |              |          |       |             |
|-------|-----------|-------|-------|--------------|----------|-------|-------------|
| Power | 350 W     | Beam  | 120°  | Dimmable     | No       | Input | 220-240 Vac |
| Base  | Terminals | IP    | 65    | Flux         | 35000 lm | PF    | 0,90        |
| Tc    | 4000 K    | Ra    | >80   | LED Warranty | G3       | Axis  | 11000 cd    |
| RG    | RG1       | Color | Black |              |          |       |             |

### Dimensional characteristics



|    |        |
|----|--------|
| L  | 490 mm |
| L1 | 49 mm  |
| H  | 370 mm |

## Lighting and photometric features

|   |                    |
|---|--------------------|
| Beam opening                              | 120°               |
| Flux                                      | 35000 lm           |
| CCT nominal colour temperature            | 4000 K             |
| Colour of the light                       | Natural light      |
| Colour rendering index                    | >80                |
| Lifespan                                  | 20000 h            |
| LED lifespan                              | L70B30             |
| Trigger time                              | <0,2 s             |
| Heating time up to 60% of full efficiency | Instant Full Light |

## Electrical characteristics

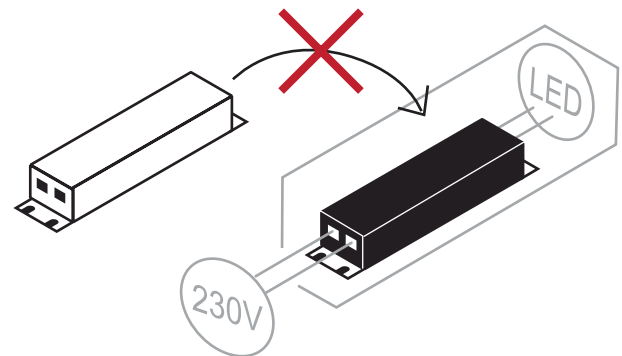
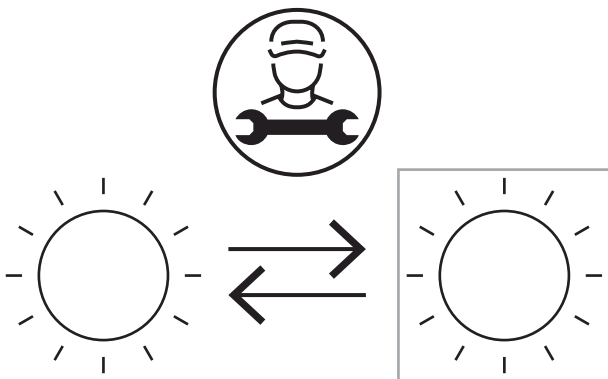
|                       |               |
|-----------------------|---------------|
| Rated power           | 350 W         |
| Input voltage         | 220-240 Vac   |
| Frequency             | 50-60 Hz      |
| Dimmable              | No            |
| Power factor (PF)     | 0,90          |
| Operating temperature | -25°C / +35°C |

## Photometry

EuLumDat file on the site

## Other Infotech

|                             |   |
|-----------------------------|---|
| Light source replaceability | Replaceable light source by a professional. |
| Control gear replaceability | Non-replaceable control gear.               |



## LED Warranty

|    |  |
|----|--|
| G3 | Up to 3 years<br>(4000h/year) *4000h = 11h a day x 365 days.<br>Without limitations on the duration of use for the first year, provided the observance of the installation conditions. |
|----|--|

## European Directives

2009/125/EC \* Ecodesign  
2011/65/EU \* RoHS  
2012/19/EU \* RAEE  
2014/30/EU \* EMC  
2014/35/EU \* LVD  
2015/863 \* Amending RoHS  
2017/1369 \* Regulation for Energy Labelling  
2019/2015 \* Regulation for Energy Labelling  
2019/2020 \* Regulation for Ecodesign  
2021/340 \* Amending Reg. Energy Labelling  
2021/341 \* Amending Reg. Ecodesign

## Product standards

CEI EN 55015:2020 (+A11:2020)  
CEI EN 60598-1:2022  
CEI EN 60598-2-5:2016  
CEI EN 61000-3-2:2019 (+A1:2021)  
CEI EN 61000-3-3:2014 (+EC1:2014/+EC2:2016/+A1:2021/+A2:2022)  
CEI EN 61547:2010  
CEI EN 62031:2021 (+A11:2022)  
CEI EN 62471:2010  
IEC/TR 62471-2:2009  
CEI EN 62493:2015  
CEI 34-141:2014

## Logistics data

|                                |               |
|--------------------------------|---------------|
| Item net weight                | 6000 gr       |
| Barcode single item            | 8011905976200 |
| Number of pieces multiple pack | 2             |
| Minimum order quantity         | 1             |
| Minimum packaging              | 1 / 2         |