

# INSTALLATION MANUAL

38150A/V

LED  
BUILT IN



UGR19

PV

CCTV

CE EAC UK CA

RoHS  
COMPLIANT



NOT  
DIMMABLE

230V | SMD LED | 20/30/40W | IP20 | Diffuser | Aluminium  
Complete with 1050mA driver. Can be connected in line.  
Optional suspension kit 050170.



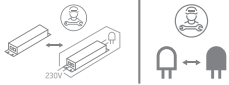
90  
CRI

1200mm

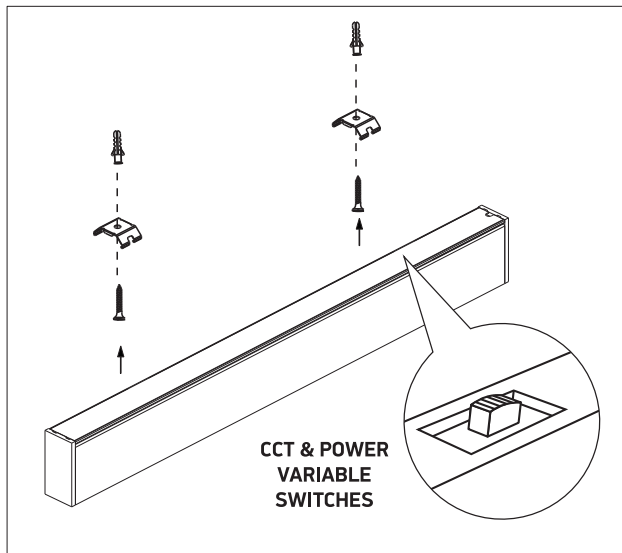
35mm

70mm

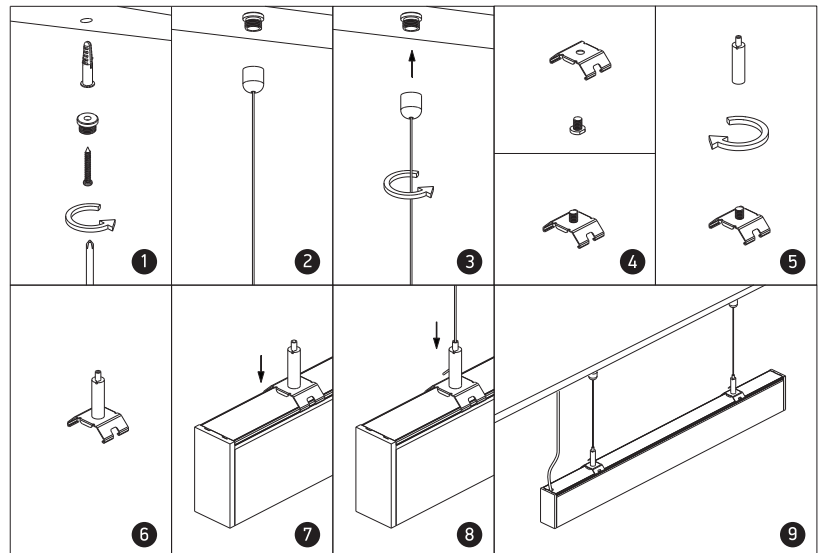
one  
LIGHT



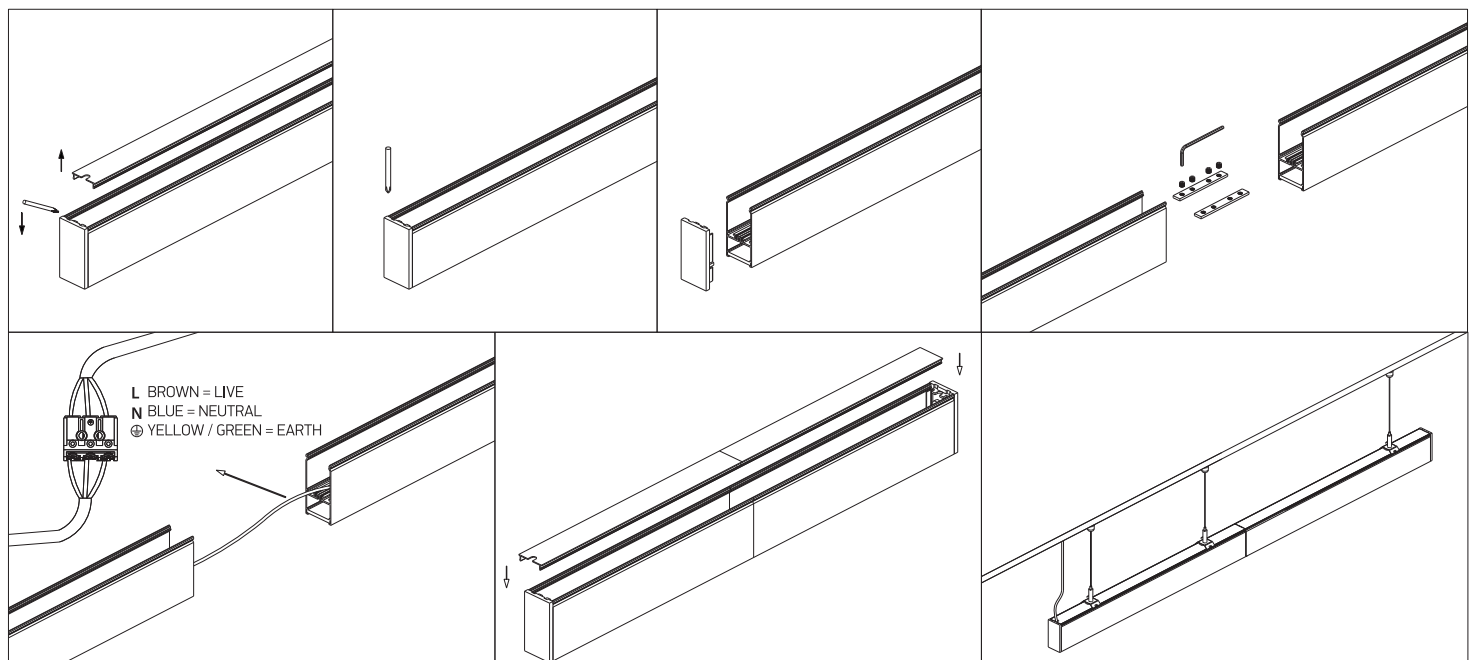
## A SURFACE INSTALLATION



## B SUSPENDED INSTALLATION



## C CONNECTION



### Warnings:

1. Make sure that the product is installed properly before connecting to electricity.
2. Do not cover the fitting.
3. Maintenance and installation should only be carried out by a professional electrician.