

INSTALLATION MANUAL

38160A/V

LED
BUILT IN



UGR19

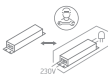
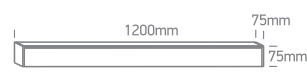


CE EAC UK CA

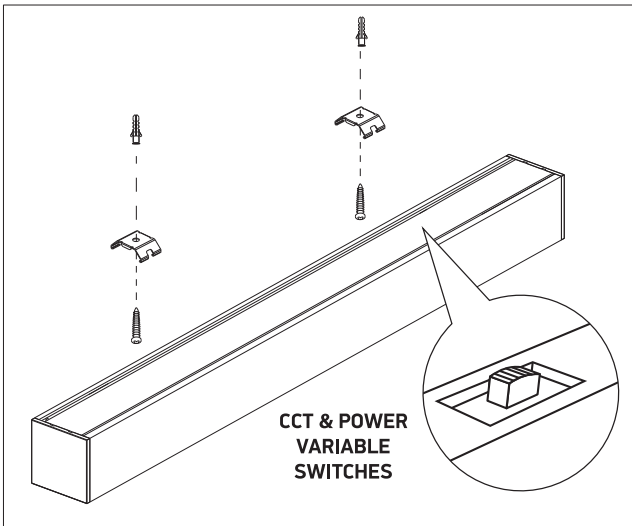


230V | SMD LED | 20/30/40W | IP20 | Aluminium
Complete with 1050mA driver / Can be connected in line.
Optional suspension kit 050170.

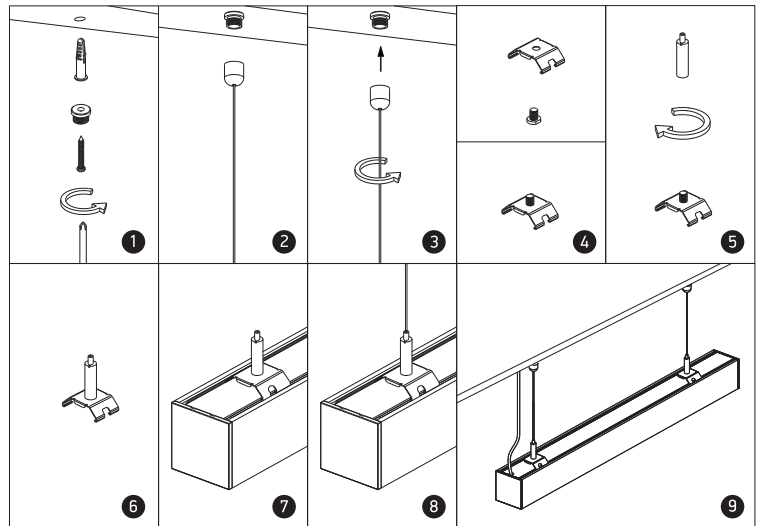
90
CRI



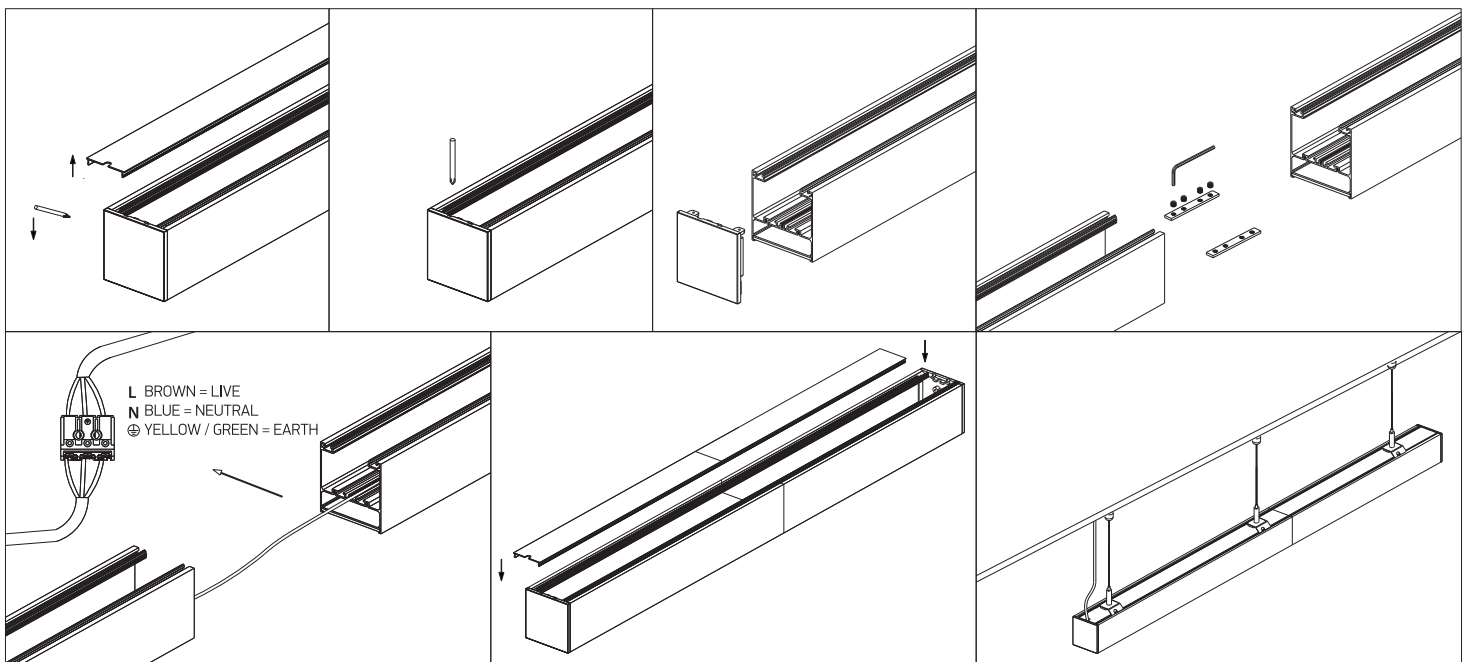
A SURFACE INSTALLATION



B SUSPENDED INSTALLATION



C CONNECTION



Warnings:

1. Make sure that the product is installed properly before connecting to electricity.
2. Do not cover the fitting.
3. Maintenance and installation should only be carried out by a professional electrician.