

INSTALLATION MANUAL

38145BR/V

LED
BUILT IN



DARK
LIGHT



CE

EAC

UK
CA

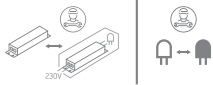
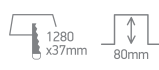
RoHS
COMPLIANT



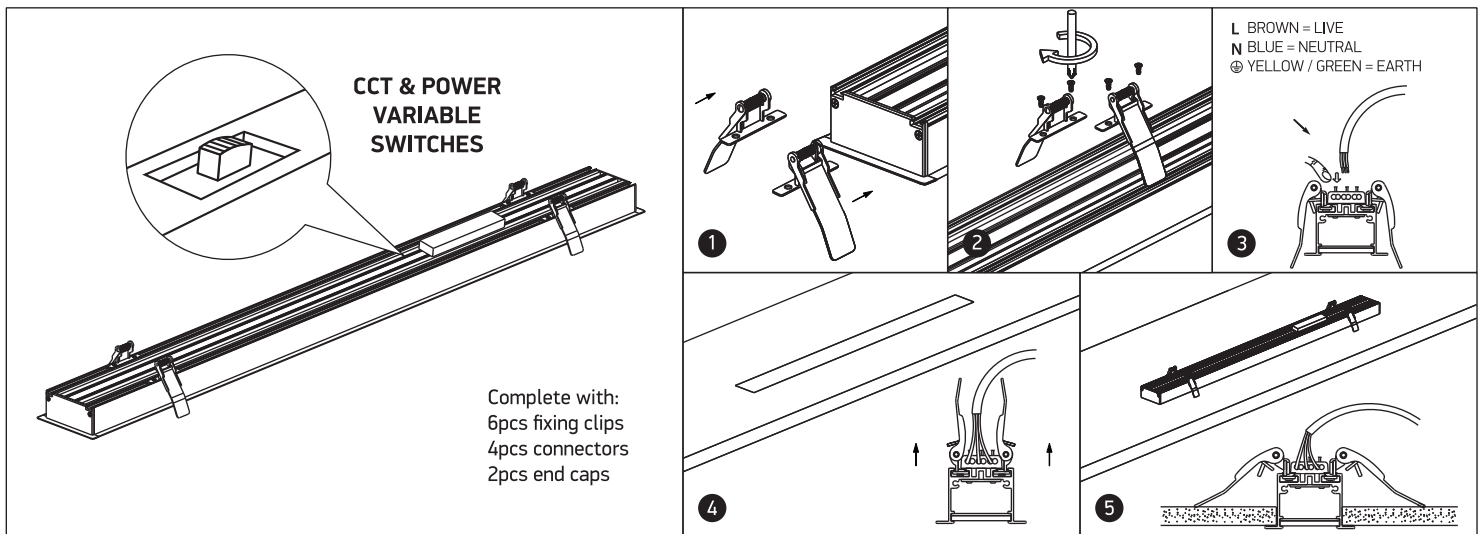
one
LIGHT

230V | SMD LED | 20/30/40W | IP20 | Aluminium
Complete with 1050mA driver. Can be connected in line.

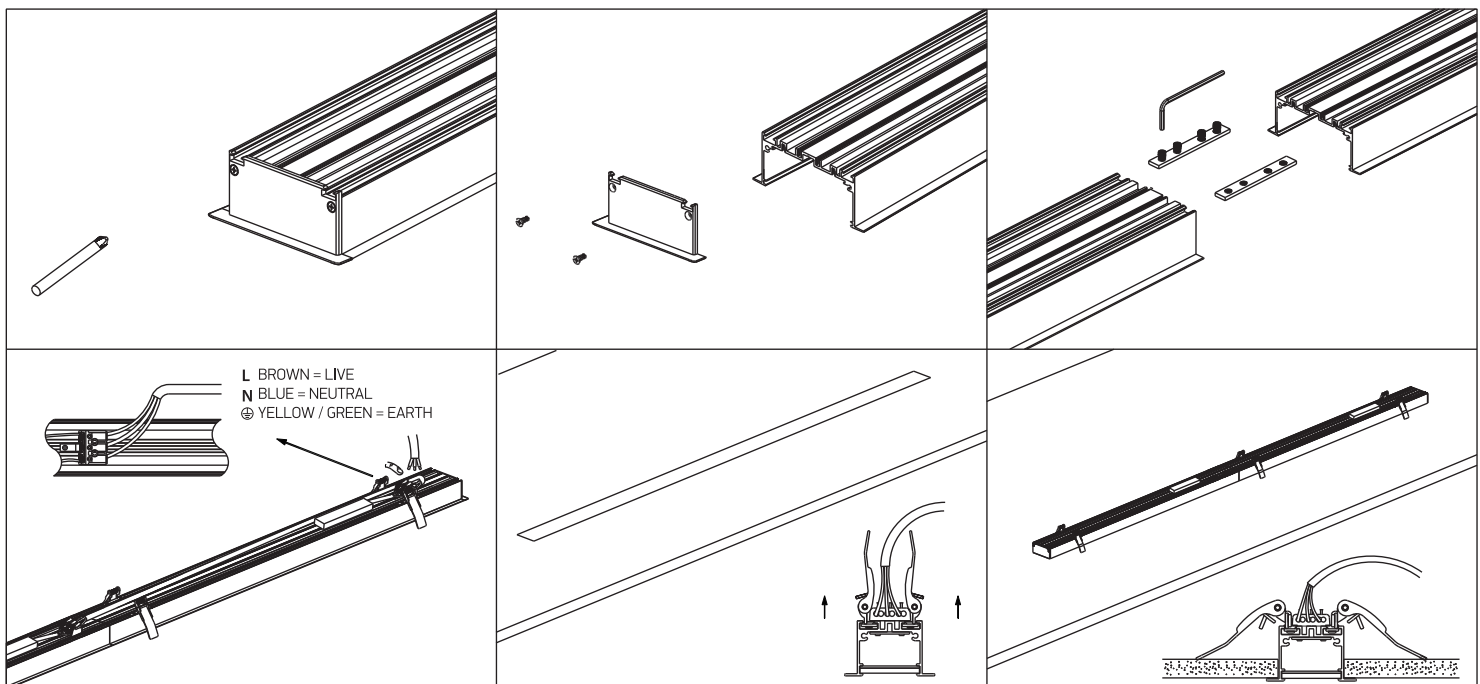
90
CRI



A INSTALLATION



B CONNECTION



Warnings:

1. Make sure that the product is installed properly before connecting to electricity.
2. Do not cover the fitting.
3. Maintenance and installation should only be carried out by a professional electrician.