

INSTALLATION MANUAL

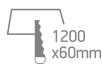
38152R/V

LED
BUILT IN

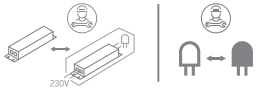


230V | SMD LED | 20/30/40W | IP20 | Aluminium
Complete with 1050mA driver.

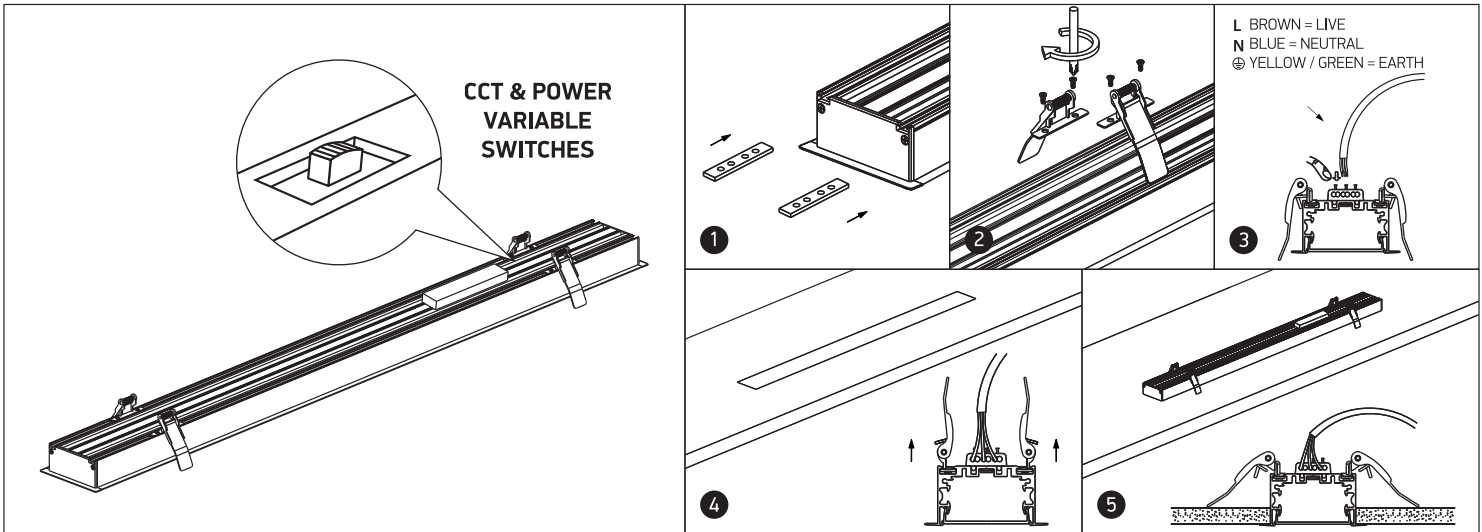
90
CRI



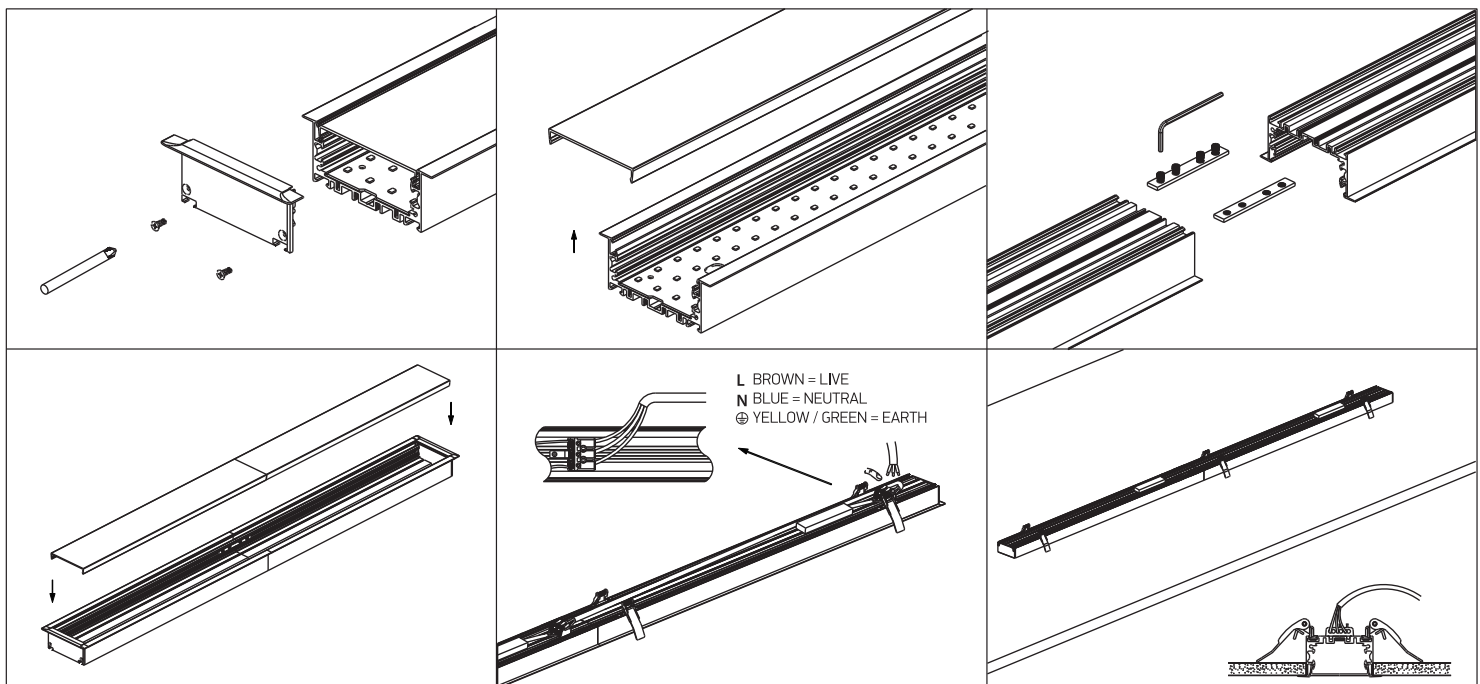
one
LIGHT



A INSTALLATION



B CONNECTION



Warnings:

1. Make sure that the product is installed properly before connecting to electricity.
2. Do not cover the fitting.
3. Maintenance and installation should only be carried out by a professional electrician.