

# INSTALLATION MANUAL

12112D

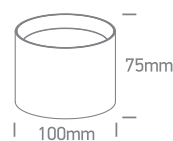


90  
CRI

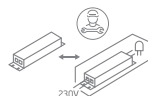
CE EAC UK  
CA



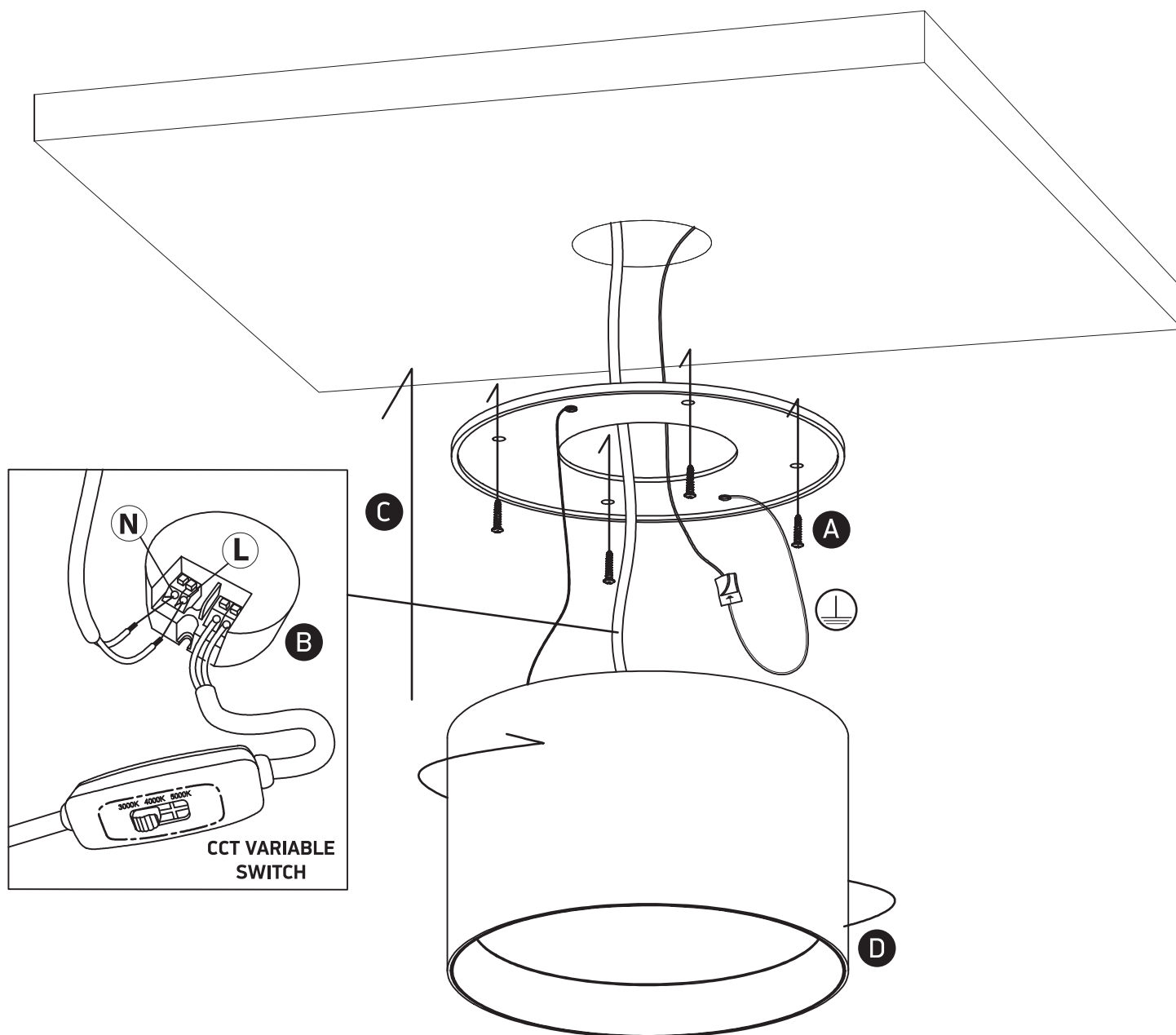
NOT  
DIMMABLE



230V | SMD LED | 12W | IP44 | Aluminium  
Complete with 300mA driver.



one  
LIGHT



## Warnings:

1. Fix the base on the ceiling.
2. Make sure that the product is installed properly before connecting to electricity.
3. Connect the AC power cable to the driver's cable as shown in the above diagram.
4. Do not cover the fitting.
5. Maintenance and installation should only be carried out by a professional electrician.