

INSTALLATION MANUAL

12120D

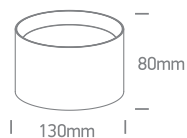


90
CRI

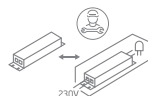
CE EAC UK
CA



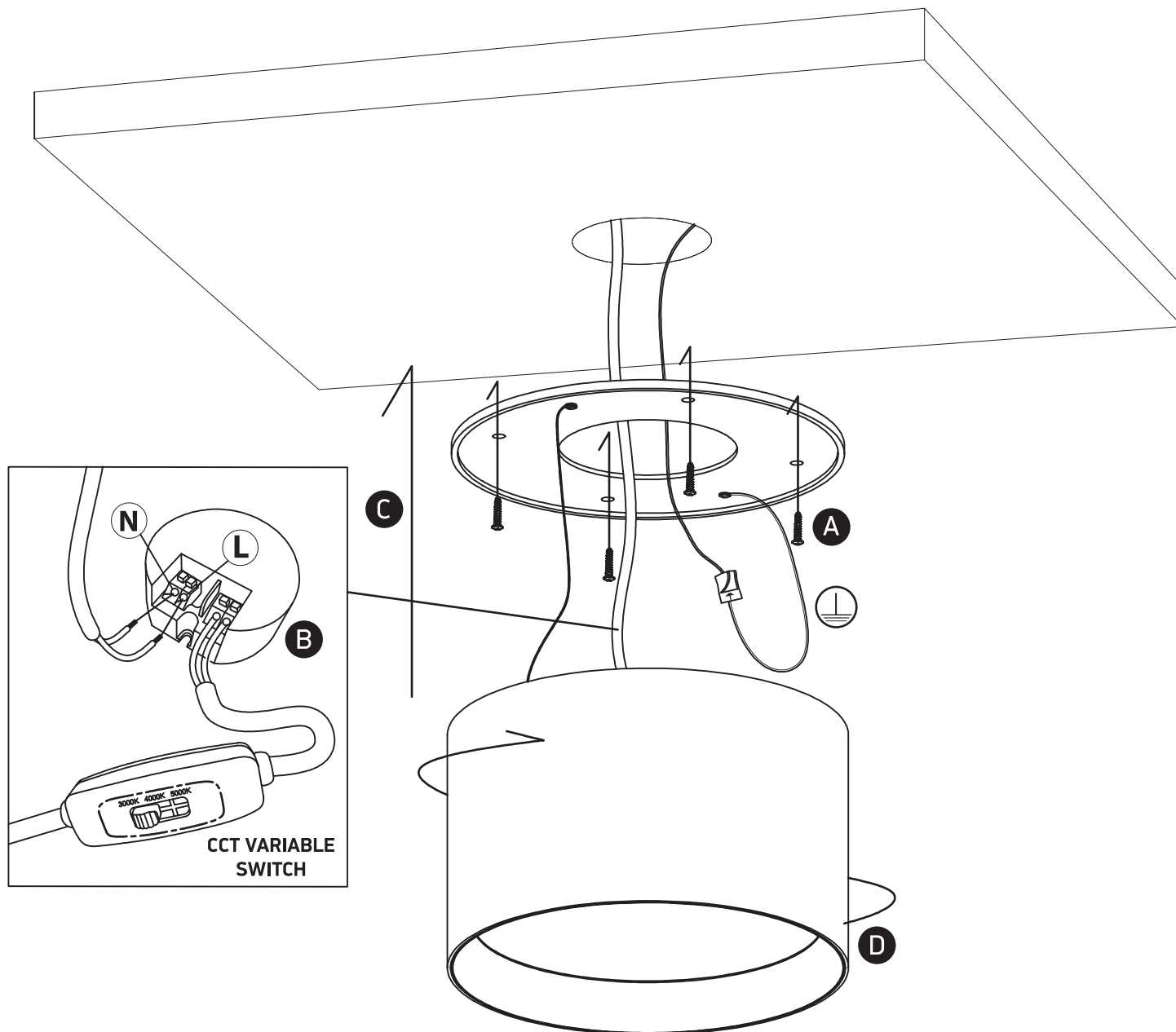
NOT
DIMMABLE



230V | SMD LED | 20W | IP44 | Aluminium
Complete with 500mA driver.



one
LIGHT



Warnings:

1. Fix the base on the ceiling.
2. Make sure that the product is installed properly before connecting to electricity.
3. Connect the AC power cable to the driver's cable as shown in the above diagram.
4. Do not cover the fitting.
5. Maintenance and installation should only be carried out by a professional electrician.