

# INSTALLATION MANUAL

62006A/V

LED  
BUILT IN



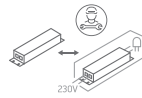
CE EAC UK CA



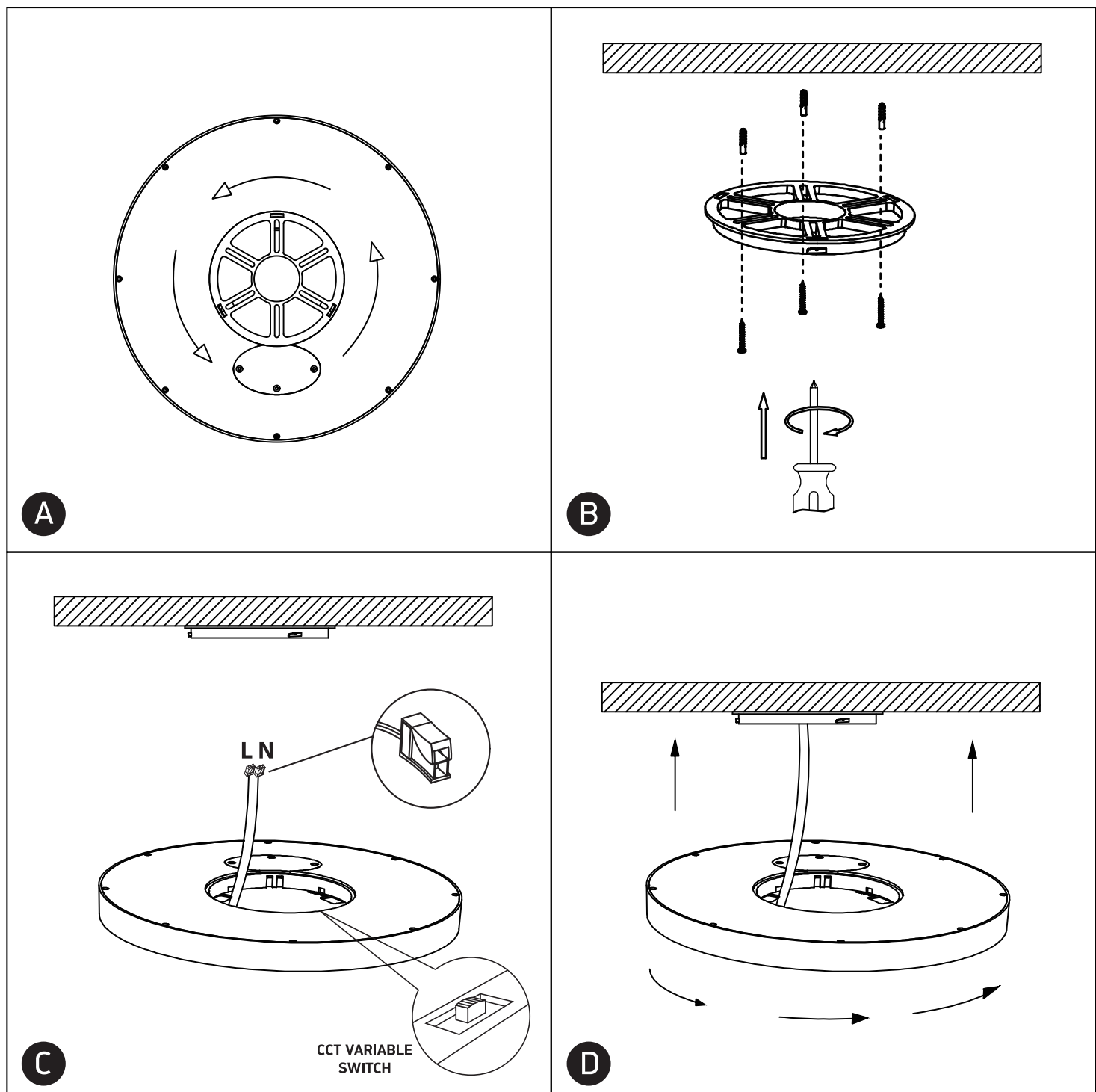
300mm

230V | SMD 2835 | 24W | IP20 | ABS Body  
Complete with driver.

80  
CRI



one  
LIGHT



## Warnings:

1. Fix the base on the ceiling.
2. Make sure that the product is installed properly before connecting to electricity.
3. Connect the AC power cable to the driver's cable as shown in the above diagram.
4. Do not cover the fitting.
5. Maintenance and installation should only be carried out by a professional electrician.