

INSTALLATION MANUAL

62006C/V

LED
BUILT IN



500mm

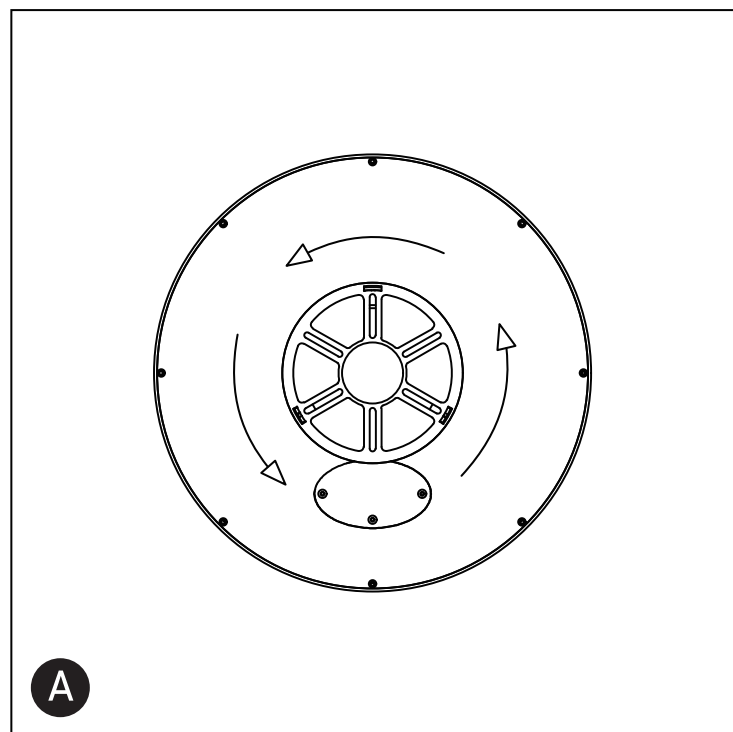
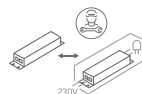


27mm

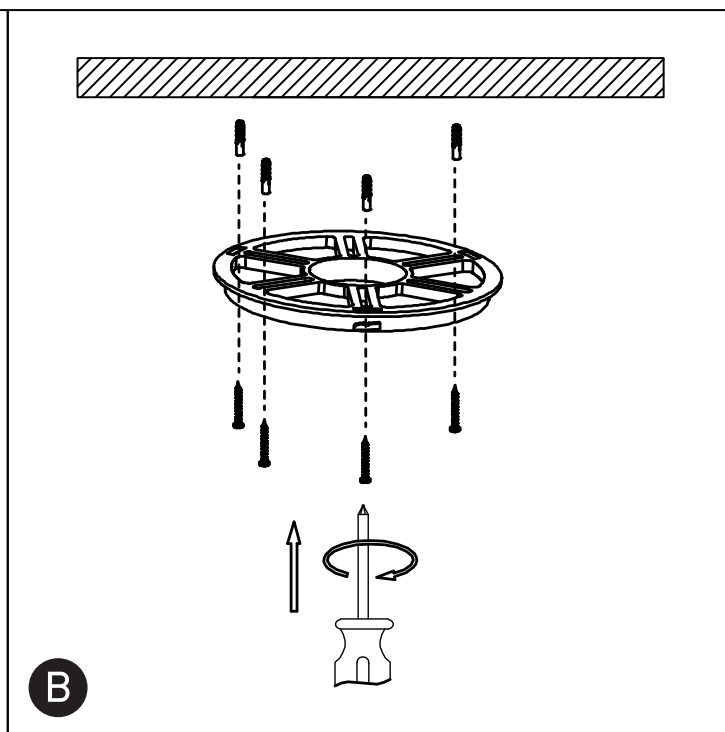
one
LIGHT

230V | SMD 2835 | 40W | IP20 | ABS Body
Complete with driver.

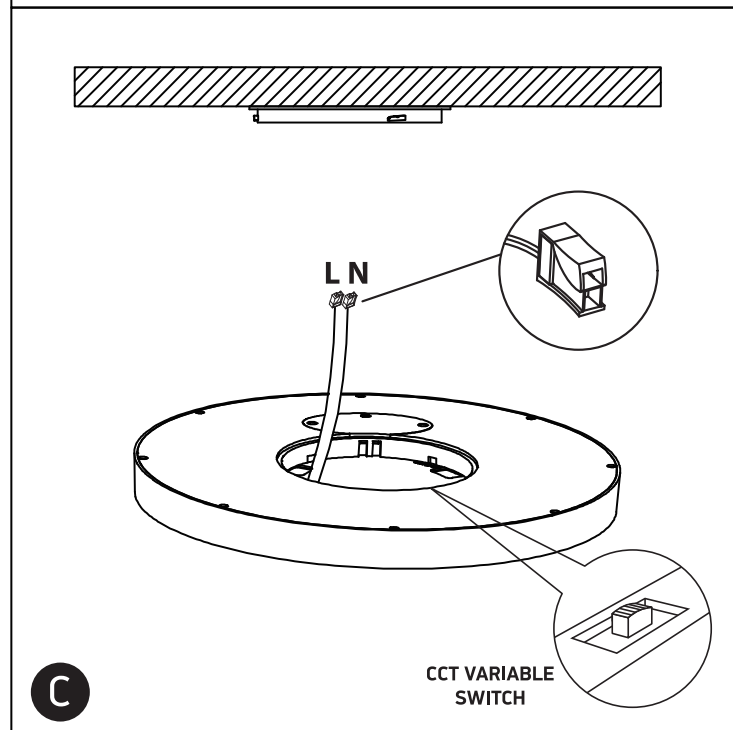
80
CRI



A

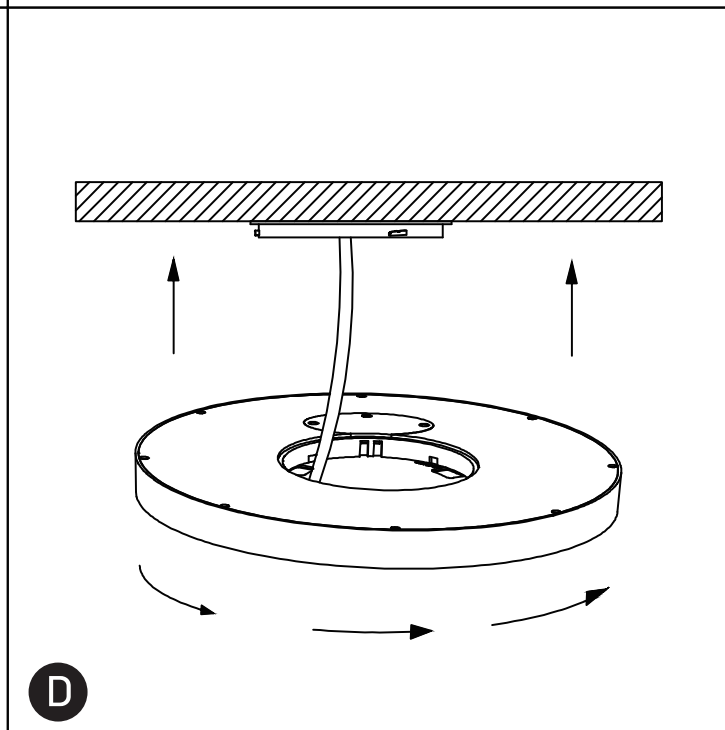


B



C

CCT VARIABLE
SWITCH



D

Warnings:

1. Fix the base on the ceiling.
2. Make sure that the product is installed properly before connecting to electricity.
3. Connect the AC power cable to the driver's cable as shown in the above diagram.
4. Do not cover the fitting.
5. Maintenance and installation should only be carried out by a professional electrician.