



PANTH H1

Typology

Super-compact professional projectors for large commercial and industrial spaces; uses highly efficient SMD technology, up to 175lm/W.

Features

Ultra-flat, highly efficient, long service life: reliable products for use in all areas where powerful light output with significant energy savings is required. Equipped with voltage surge protection, see details.

Installation

Free-standing or fixed to the surface with its swivelling bracket. Cable length: 95 cm

Material

Die-cast aluminium body. Suitable for use in dusty and humid environments due to its high IP rating.

Usage information

In case of installation in public areas, it is advisable to use overvoltage surge protection. The HP2 models are designed to withstand voltage peaks up to 4kV.

Beam

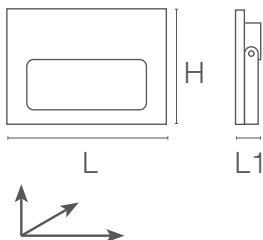
Symmetrical beam angle: 110°.



Characteristic data

Power	120 W	Beam	110°	Dimmable	No	Input	220-240 Vac
Base	Free terminals	IP	65	Flux	21000 lm	Axis	7340 cd
PF	0.95	Tc	6000 K	Ra	80	LED Warranty	G5h24
IK	IK04	RG	RG1	Color	Black		

Dimensional characteristics



L	305 mm
L1	220 mm
H	35 mm

Lighting and photometric features

Beam opening	110°
Flux	21000 lm
Axis	7340 cd
CCT nominal colour temperature	6000 K
Colour of the light	Cool light
Colour rendering index	80
Lifespan	50000 h
LED lifespan	L70B20

Electrical characteristics

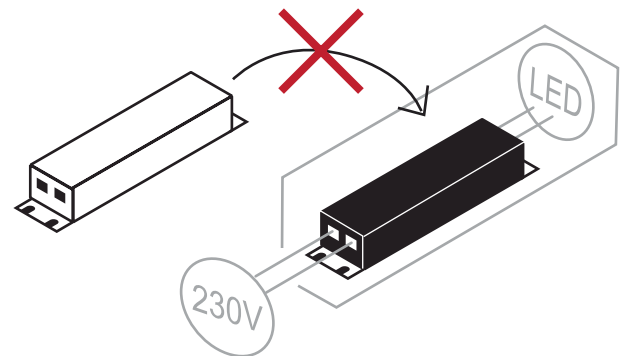
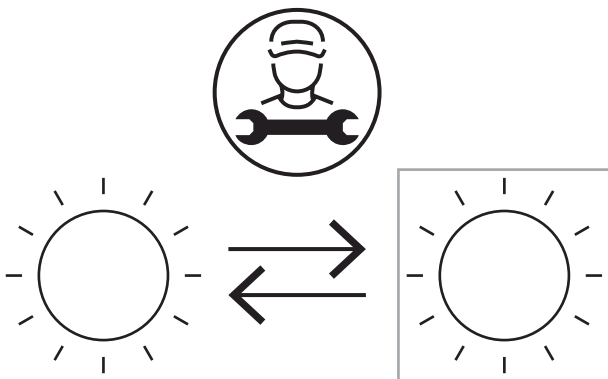
Rated power	120 W
Input voltage	220-240 Vac
Frequency	50-60 Hz
Dimmable	No
Power factor (PF)	0.95
Input current	0.54 A
Weighted energy consumption	120 kWh/1000h
Energy efficiency class	This product contains a light source of energy efficiency class "A"
Operating temperature	-25°C / +35°C

Photometry

EulumDat file on the site

Other Infotech

Flicker Free	Yes
Light source replaceability	Replaceable light source by a professional.
Control gear replaceability	Non-replaceable control gear.



LED Warranty

G5h24	<p>Full Guarantee 5 years (24h/24h) Without limitations on the duration of use for the first year, provided the observance of the installation conditions.</p>
-------	------------------------------------------------------------------------------------------------------------------------------------------------------------------------

European Directives

2009/125/EC * Ecodesign
2011/65/EU * RoHS
2012/19/EU * RAEE
2014/30/EU * EMC
2014/35/EU * LVD
2015/863 * Amending RoHS
2017/1369 * Regulation for Energy Labelling
2019/2015 * Regulation for Energy Labelling
2019/2020 * Regulation for Ecodesign
2021/340 * Amending Reg. Energy Labelling
2021/341 * Amending Reg. Ecodesign

Product standards

CEI EN 55015:2020 (+A11:2020)
CEI EN 60598-1:2022
CEI EN 60598-2-5:2016
CEI EN 61000-3-2:2019 (+A1:2021)
CEI EN 61000-3-3:2014 (+EC1:2014/+EC2:2016/+A1:2021/+A2:2022)
CEI EN 61547:2010
CEI EN 62031:2021 (+A11:2022)
CEI EN 62471:2010
IEC/TR 62471-2:2009
CEI EN 62493:2015
CEI 34-141:2014

Logistics data

Item net weight	1608 gr
Barcode single item	8011905326340
Number of pieces multiple pack	10
Minimum order quantity	1
Minimum packaging	1 / 10