



## PANTH H1

### Typology

Super-compact professional projectors for large commercial and industrial spaces; uses highly efficient SMD technology, up to 175lm/W.

### Features

Ultra-flat, highly efficient, long service life: reliable products for use in all areas where powerful light output with significant energy savings is required. Equipped with voltage surge protection, see details.

### Installation

Free-standing or fixed to the surface with its swivelling bracket. Cable length: 95 cm

### Material

Die-cast aluminium body. Suitable for use in dusty and humid environments due to its high IP rating.

### Usage information

In case of installation in public areas, it is advisable to use overvoltage surge protection. The HP2 models are designed to withstand voltage peaks up to 4kV.

### Beam

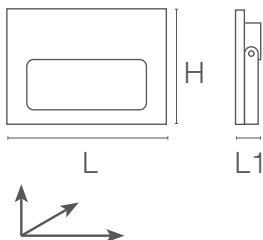
Symmetrical beam angle: 110°.



### Characteristic data

|       |                |      |        |          |          |              |             |
|-------|----------------|------|--------|----------|----------|--------------|-------------|
| Power | 165 W          | Beam | 110°   | Dimmable | No       | Input        | 220-240 Vac |
| Base  | Free terminals | IP   | 65     | Flux     | 30000 lm | Axis         | 10840 cd    |
| PF    | 0.95           | Tc   | 6000 K | Ra       | 80       | LED Warranty | G5h24       |
| IK    | IK04           | RG   | RG1    | Color    | Black    |              |             |

### Dimensional characteristics



|    |        |
|----|--------|
| L  | 355 mm |
| L1 | 260 mm |
| H  | 36 mm  |

## Lighting and photometric features

|                                |            |
|--------------------------------|------------|
| Beam opening                   | 110°       |
| Flux                           | 30000 lm   |
| Axis                           | 10840 cd   |
| CCT nominal colour temperature | 6000 K     |
| Colour of the light            | Cool light |
| Colour rendering index         | 80         |
| Lifespan                       | 50000 h    |
| LED lifespan                   | L70B20     |

## Electrical characteristics

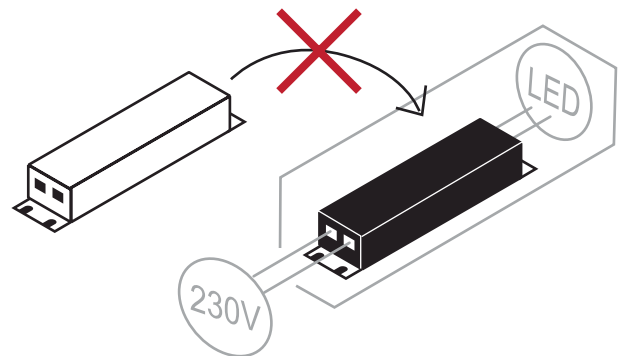
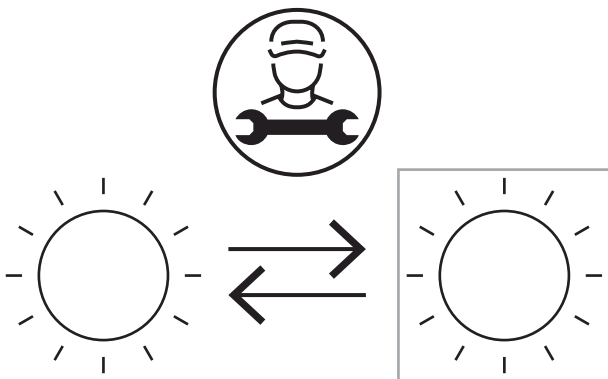
|                             |   |
|-----------------------------|---|
| Rated power                 | 165 W   |
| Input voltage               | 220-240 Vac   |
| Frequency                   | 50-60 Hz  |
| Dimmable                    | No  |
| Power factor (PF)           | 0.95  |
| Input current               | 0.82 A  |
| Weighted energy consumption | 165 kWh/1000h   |
| Energy efficiency class     | This product contains a light source of energy efficiency class "B" |
| Operating temperature       | -25°C / +35°C   |

## Photometry

EulumDat file on the site

## Other Infotech

|                             |   |
|-----------------------------|---|
| Flicker Free                | Yes   |
| Light source replaceability | Replaceable light source by a professional. |
| Control gear replaceability | Non-replaceable control gear.               |



## LED Warranty

|       |  |
|-------|--|
| G5h24 | <p>Full Guarantee<br/>5 years<br/>(24h/24h) Without limitations on the duration of use for the first year, provided the observance of the installation conditions.</p> |
|-------|--|

## European Directives

2009/125/EC \* Ecodesign  
2011/65/EU \* RoHS  
2012/19/EU \* RAEE  
2014/30/EU \* EMC  
2014/35/EU \* LVD  
2015/863 \* Amending RoHS  
2017/1369 \* Regulation for Energy Labelling  
2019/2015 \* Regulation for Energy Labelling  
2019/2020 \* Regulation for Ecodesign  
2021/340 \* Amending Reg. Energy Labelling  
2021/341 \* Amending Reg. Ecodesign

## Product standards

CEI EN 55015:2020 (+A11:2020)  
CEI EN 60598-1:2022  
CEI EN 60598-2-5:2016  
CEI EN 61000-3-2:2019 (+A1:2021)  
CEI EN 61000-3-3:2014 (+EC1:2014/+EC2:2016/+A1:2021/+A2:2022)  
CEI EN 61547:2010  
CEI EN 62031:2021 (+A11:2022)  
CEI EN 62471:2010  
IEC/TR 62471-2:2009  
CEI EN 62493:2015  
CEI 34-141:2014

## Logistics data

|                                |               |
|--------------------------------|---------------|
| Item net weight                | 2217 gr       |
| Barcode single item            | 8011905326364 |
| Number of pieces multiple pack | 5             |
| Minimum order quantity         | 1             |
| Minimum packaging              | 1 / 5         |