



- Waterproof luminaire in "sealed-for-life" concept
- Improved installation due to new twist-and-lock endcap
- Supplied with vandal-proof stainless steel ceiling and suspension clips
- Equipped with 3x25mm² throughwiring



Specifications

Item Code	Item Description	Equivalent to (W)	Power (W)	Lumen	Efficacy (lm/W)	CCT (K)	Weight (kg/pc)
531000012200	LEDWaterproof-E3 L1500-25W-840	TL 1x58W	25	3500	140	4000	0.96

Packaging Information

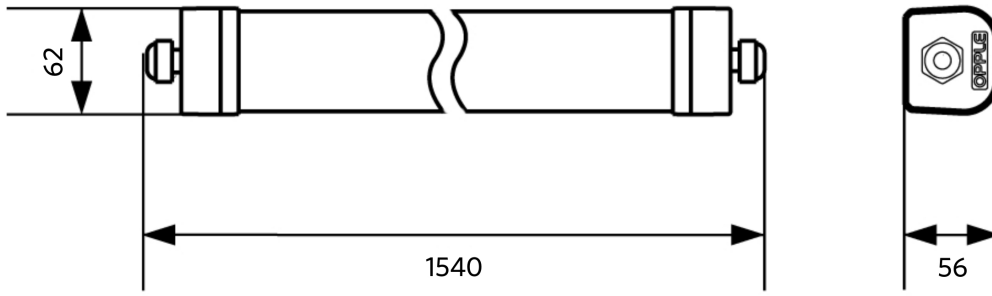
Item			Box			
Item Code	Item Description	EU HS Code	Dimensions (mm) (LxWxH)	Gross Weight (kg)	EAN	pc/box
531000012200	LEDWaterproof-E3 L1500-25W-840	94051190	1611x67x66	1.44	6931783027813	1

Technical Specifications		Electrical Supply	
Lifetime (L70)	70,000 h	Frequency	50/60 Hz
Lifetime (L80)	50,000 h	Nominal voltage	220-240 V
On-/Off-cycles	100,000	DC input voltage	See catalogue appendix
Colour consistency (SDCM)	4	Connection	Specifications
Dimmability	On-Off	Mechanical Properties	
Beam angle	120°	Material housing	Polycarbonate
Finishing	Grey RAL 7035	UV resistant	Yes
Colour rendering index (CRI)	> 80	Optical material	Polycarbonate
Degree of protection (IP)	IP66	Mounting clips	Stainless steel
Impact strength	IK08	Ambient Conditions	
Protection class	II	Operating temperature	-20-+45°C
Risk group (EN 62471)	RG0	Application temperature	+25°C
With control gear	Yes	Storage environment	-30-+60°C
Glow wire test	850°C		
Power factor	≥ 0.9		
Input wire diameter	1mm ² - 2.5mm ²		
Internal wiring (mm ²)	3x2.5		
Max. input cable diameter (mm)	7-11.5 mm		

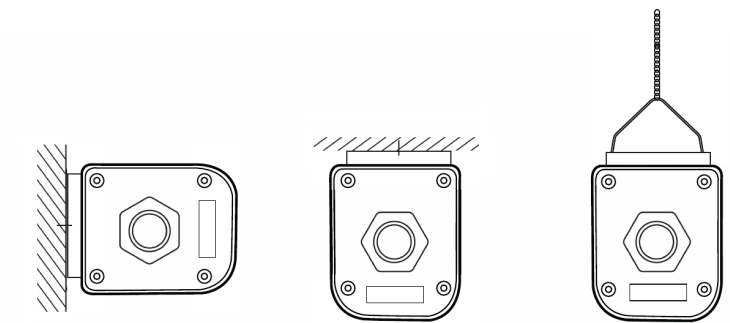


Dimensional Drawing (mm)

LEDWaterproof-E3 L1500



Installation Possibilities



Photometric Data

