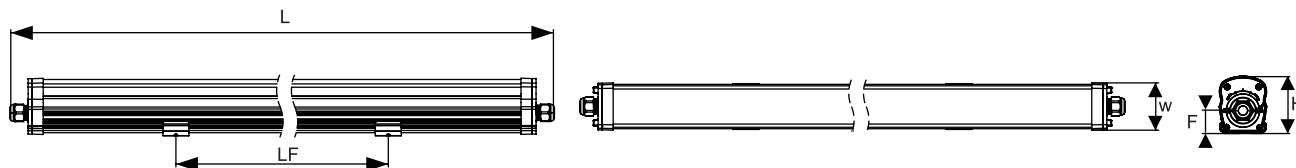


LED Waterproof Performer G4































Model	CCT	KG	L (mm)	LF (mm)	W (mm)	H (mm)	F (mm)	Rated Current	Rated Power	Max total luminaires connected using external 1.5mm ² wire	Max total luminaires connected using external 2.5mm ² wire
LED WP-P4 L1489-85W-840	4000K	1.21	1489	750	63	75	22	0.37A	85W	5	6
LED WP-P4 L1489-70W-840	4000K	1.21	1489	750	63	75	22	0.33A	70W	5	6
LED WP-P4 L1489-54W-865	6500K	1.21	1489	750	63	75	22	0.24A	54W	10	20
LED WP-P4 L1489-54W-840	4000K	1.21	1489	750	63	75	22	0.24A	54W	10	20
LED WP-P4 L1489-47W-840	4000K	1.21	1489	750	63	75	22	0.2A	47W	10	20
LED WP-P4 L1489-31W-840	4000K	1.21	1489	750	63	75	22	0.135A	31W	15	30
LED WP-P4 L1208-38W-865	6500K	1.08	1208	600	63	75	22	0.17A	38W	15	30
LED WP-P4 L1208-38W-840	4000K	1.08	1208	600	63	75	22	0.17A	38W	15	30
LED WP-P4 L1208-24W-840	4000K	1.08	1208	600	63	75	22	0.105A	24W	15	30
LED WP-P4 L648-24W-840	4000K	0.74	648	300	63	75	22	0.105A	24W	15	30
LED WP-P4 L648-12W-840	4000K	0.74	648	300	63	75	22	0.06A	12W	20	40
LED WP-P4 L1489-54W-840 PLUS	4000K	1.21	1489	750	63	75	22	0.24A	54W	10	20
LED WP-P4 L1489-31W-840 PLUS	4000K	1.21	1489	750	63	75	22	0.135A	31W	15	30
LED WP-P4 L1208-38W-840 PLUS	4000K	1.08	1208	600	63	75	22	0.17A	38W	15	30
LED WP-P4 L1489-31W-BLE2-840	4000K	1.21	1489	750	63	75	22	0.135A	31W	15	30
LED WP-P4 L1489-51W-BLE2-865	6500K	1.21	1489	750	63	75	22	0.225A	51W	10	20
LED WP-P4 L1489-51W-BLE2-840	4000K	1.21	1489	750	63	75	22	0.225A	51W	10	20
LED WP-P4 L1208-36W-BLE2-840	4000K	1.08	1208	600	63	75	22	0.165A	36W	15	30
LED WP-P4 L1208-36W-BLE2-865	6500K	1.08	1208	600	63	75	22	0.165A	36W	15	30
LED WP-P4 L1208-24W-BLE2-840	4000K	1.08	1208	600	63	75	22	0.105A	24W	15	30
LED WP-P4 L648-24W-BLE2-840	4000K	0.74	648	300	63	75	22	0.105A	24W	15	30
LED WP-P4 L648-12W-BLE2-840	4000K	0.74	648	300	63	75	22	0.06A	12W	20	40
LED WP-P4 L1489-51W-DALI-865	6500K	1.21	1489	750	63	75	22	0.225A	51W	10	20
LED WP-P4 L1489-51W-DALI-840	4000K	1.21	1489	750	63	75	22	0.225A	51W	10	20
LED WP-P4 L1208-36W-DALI-840	4000K	1.08	1208	600	63	75	22	0.165A	36W	15	30
LED WP-P4 L1208-36W-DALI-865	6500K	1.08	1208	600	63	75	22	0.165A	36W	15	30
LED WP-P4 L1489-31W-DALI-840	4000K	1.21	1489	750	63	75	22	0.135A	31W	15	30
LED WP-P4 L1208-24W-DALI-840	4000K	1.08	1208	600	63	75	22	0.105A	24W	15	30
LED WP-P4 L648-24W-DALI-840	4000K	0.74	648	300	63	75	22	0.105A	24W	15	30
LED WP-P4 L648-12W-DALI-840	4000K	0.74	648	300	63	75	22	0.06A	12W	20	40

Rated Voltage: 220-240V~ Frequency: 50/60Hz Max current should not exceed 16A in one power feed in circuit (L1+L2+L3)

Light Source

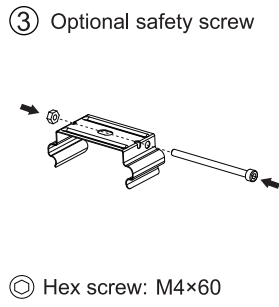
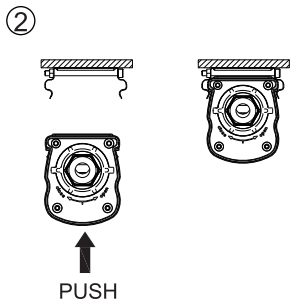
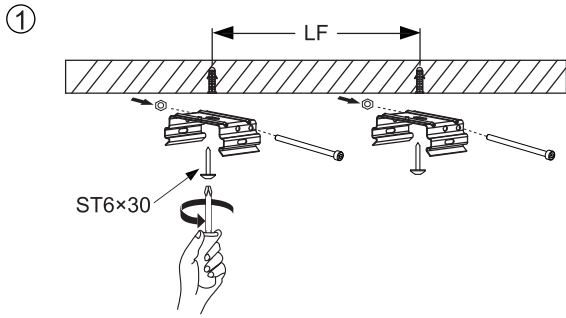
Product Code	Product Description	N	Energy Label	Light source code	QR Code
711000008500	LEDWaterproof-P4 L1489-85W-840	1		LS072008515	
711000008400	LEDWaterproof-P4 L1489-70W-840	1		LS072007015	
711000008300	LEDWaterproof-P4 L1489-54W-865	1		LS072005419	
711000008200	LEDWaterproof-P4 L1489-54W-840	1		LS072005415	

Light Source

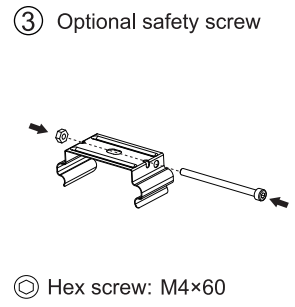
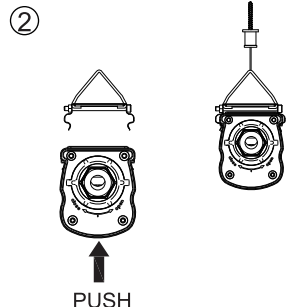
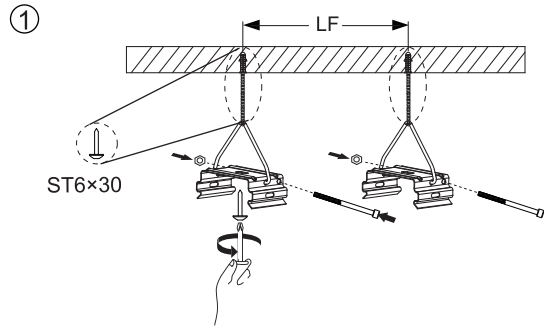
Product Code	Product Description	N	Energy Label	Light source code	QR Code
711000008100	LEDWaterproof-P4 L1489-47W-840	1		LS072004715	
711000008000	LEDWaterproof-P4 L1489-31W-840	1		LS072003115	
711000007900	LEDWaterproof-P4 L1208-38W-865	1		LS072003819	
711000007800	LEDWaterproof-P4 L1208-38W-840	1		LS072003815	
711000007700	LEDWaterproof-P4 L1208-24W-840	1		LS072002415-06	
711000007600	LEDWaterproof-P4 L648-24W-840	1		LS072002415	
711000007500	LEDWaterproof-P4 L648-12W-840	1		LS072001215	
711000007000 711000006300	LEDWaterproof-P4 L1489-51W-BLE2-865 LEDWaterproof-P4 L1489-51W-DALI-865	1		LS072005119	
711000006700 711000006000	LEDWaterproof-P4 L1208-36W-BLE2-865 LEDWaterproof-P4 L1208-36W-DALI-865	1		LS072003619	
711000006400 711000005600	LEDWaterproof-P4 L648-12W-BLE2-840 LEDWaterproof-P4 L648-12W-DALI-840	1		LS072001215-05	
711000007400 711000006900 711000006200	LEDWaterproof-P4 L1489-54W-840-PLUS LEDWaterproof-P4 L1489-51W-BLE2-840 LEDWaterproof-P4 L1489-51W-DALI-840	1		LS072005115	
711000007300 711000007100 711000005900	LEDWaterproof-P4 L1489-31W-840-PLUS LEDWaterproof-P4 L1489-31W-BLE2-840 LEDWaterproof-P4 L1489-31W-DALI-840	1		LS072003115-05	
711000007200 711000006800 711000006100	LEDWaterproof-P4 L1208-38W-840-PLUS LEDWaterproof-P4 L1208-36W-BLE2-840 LEDWaterproof-P4 L1208-36W-DALI-840	1		LS072003615	
711000006600 711000005800 711000006500 711000005700	LEDWaterproof-P4 L1208-24W-BLE2-840 LEDWaterproof-P4 L1208-24W-DALI-840 LEDWaterproof-P4 L648-24W-BLE2-840 LEDWaterproof-P4 L648-24W-DALI-840	1		LS072002415-05	

* This product contains a light source of energy efficiency class (B/C).

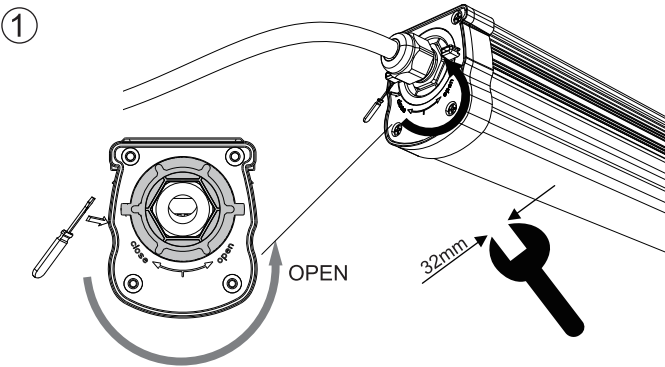
Surface Mounting



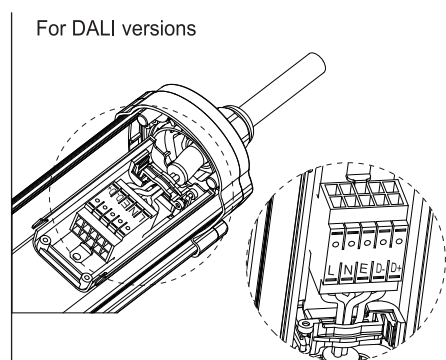
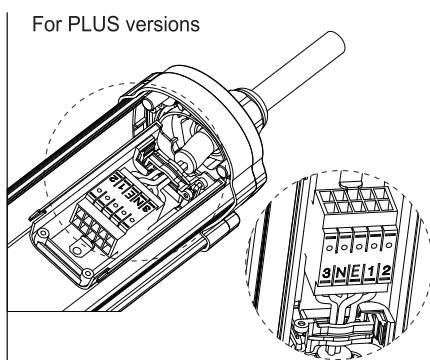
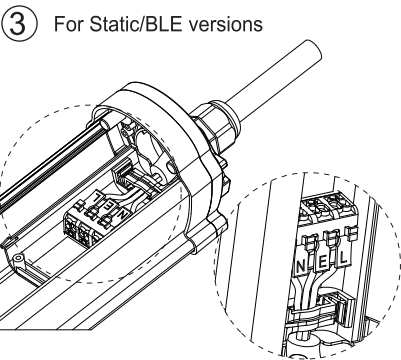
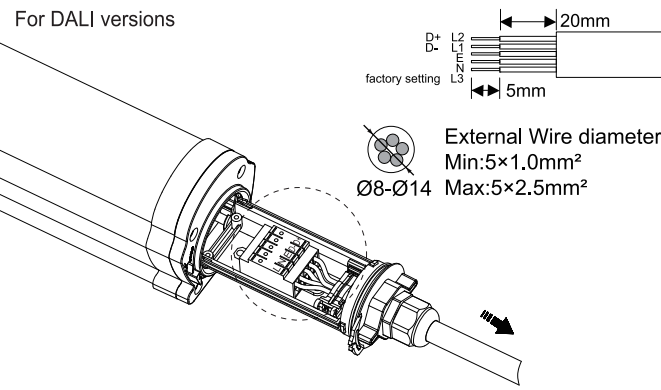
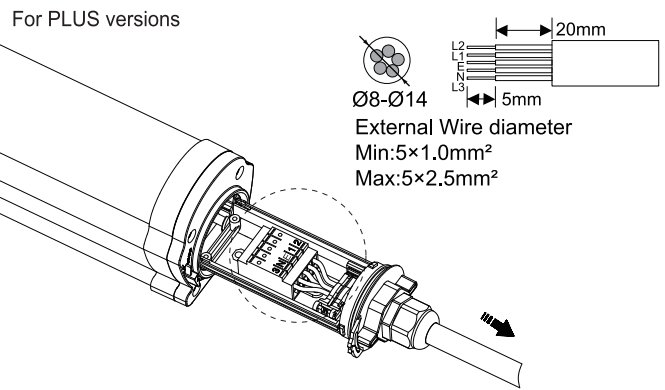
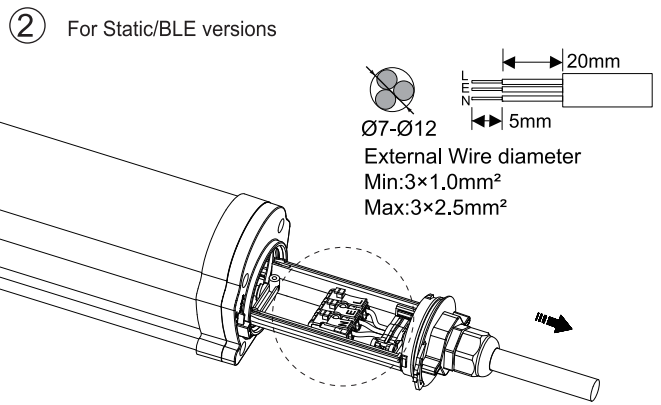
Suspension Mounting

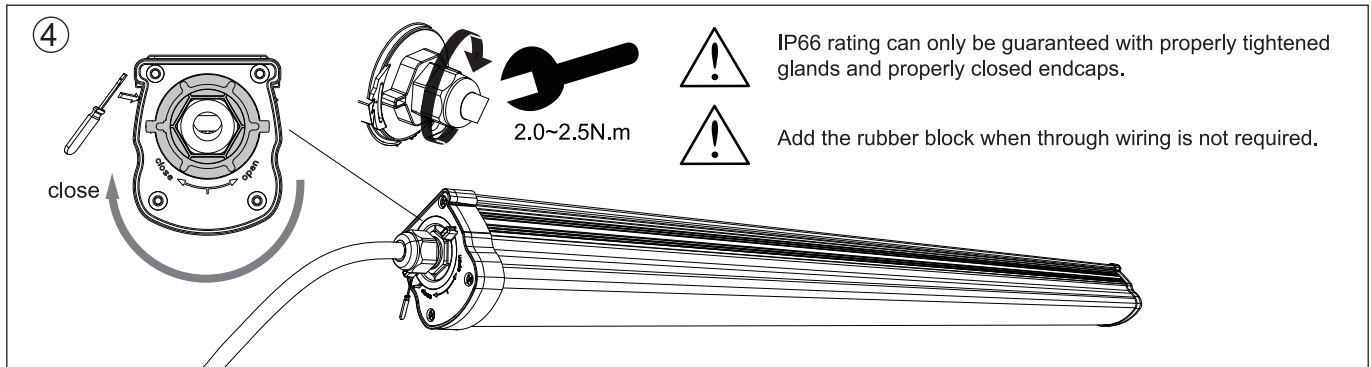


Wiring

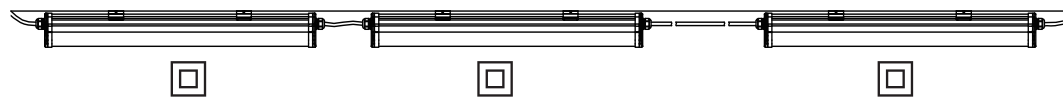


IP65 protection can only be guaranteed with properly tightened screws.

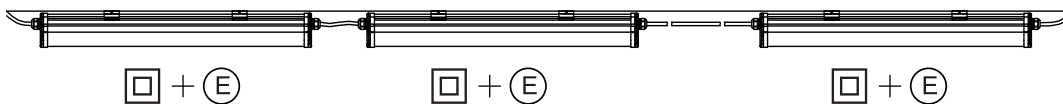




LUMINAIRE IS ELECTRICAL PROTECTION CLASS II, GROUND WIRING IS NOT MANDATORY



The luminaire is equipped with an extra through wire that can be used to connect the ground wire to the end of the line



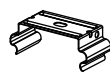
Components



×2



×2



×2



×2



×2



×2



×1

Components included in the packaging inside the components box.

Bluetooth Operating frequency: 2402-2480 MHz, Bluetooth Max Transmission Power: <20dBm



Caution: Any operation on LED module is forbidden while power-on.

Zur Vermeidung von Risiken müssen defekte Leitungen ausschließlich vom Hersteller, Inverkehrbringer oder Fachmann ausgetauscht werden.

Achtung: In betrieb ist keine Arbeit am LED-Modul erlaubt.

If the external flexible cable or cord of this luminaire is damaged, it shall be exclusively replaced by the manufacturer or his service agent or a similar qualified person in order to avoid a hazard.

Wenn das externe flexible Kabel oder die Leitung dieser Leuchte beschädigt ist, darf es ausschließlich vom Hersteller oder dem Kundendienst oder einer ähnlich qualifizierten Person ersetzt werden, um Gefahren zu vermeiden.



For non-user replaceable light sources:

The light source contained in this luminaire shall only be replaced by the manufacturer or his service agent or a similar qualified person.

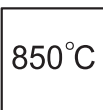
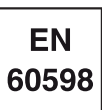
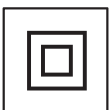
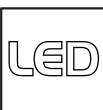
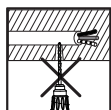
Für nicht vom Benutzer austauschbare Lichtquellen:

Die in dieser Leuchte enthaltene Lichtquelle darf nur vom Hersteller oder seinem Servicevertreter oder einer ähnlich qualifizierten Person ausgetauscht werden.



For use in environments where normal non-conductive/conductive dust accumulation may be expected, not for use in environments with expected high/unusual dust accumulation.

Zur Verwendung in Umgebungen, in denen mit normaler nichtleitender/leitender Staubansammlung zu rechnen ist, nicht zur Verwendung in Umgebungen mit zu erwartender hoher/ungewöhnlicher Staubansammlung.



Data subject to change
Les données sont sujettes à modifications
Änderungen vorbehalten

Oppl Lighting Electronic (Zhongshan) Co., Ltd.
Building A, No.275 Dongan Bei Road, Haizhou District,
Guzhen Town, Zhongshan City, Guangdong, China.

OPPLE Lighting B.V.
Meerenakkerweg 1.11
5652 AR Eindhoven
The Netherlands
service@opple.com
www.opple.com